



# DATA SHEET

Premium Efficiency Motor: **PEWWE1.5-18-145TC**

**60 Hz**

Document Generated: 14-Oct-2024  
Document ID:

Customer:

MOTOR INFORMATION	
HP	1.5
RPM	1800
Phase	3
Frequency	60 Hz
Voltage	230/460 V
Frame Size	145TC
Enclosure	TEFC
Degree of Protection	IP55
Service Factor	1.25
Poles	4
Full Load Speed	1755
Insulation Class	F
Temp Rise	80°C
NEMA Code Letter	M
Duty Cycle	S1 / Continuous
Slip	2.50%
NEMA Design	B
Moment of Inertia	0.0908 lb.ft.^2
Locked Rotor Time (Hot)	14 seconds
Sound Pressure Level	60 dB(A)
Number of Starts	2 Cold/ 1 Hot
Max Ambient Temperature	40°C
Max Elevation	1000 m.a.s.l (3300 f.a.s.l)
Mounting	F1
Rotation	Bi-Directional
Area of Classification	Class 1 Division 2 Groups A,B,C,D T3C(160°C)
Inverter Rating	10:1 CT / 20:1 VT PWM Type
Standard	NEMA MG-1
Approvals	CSA-US, CE

EFFICIENCY/POWER FACTOR		
LOAD	EFF	P. F.
100%	86.5 %	0.73
75%	86.2 %	0.6
50%	3	
83.2 %		0.49

TORQUE		
FULL LOAD	LRT	BDT
4.49 lb.ft.	280 %	390
%		

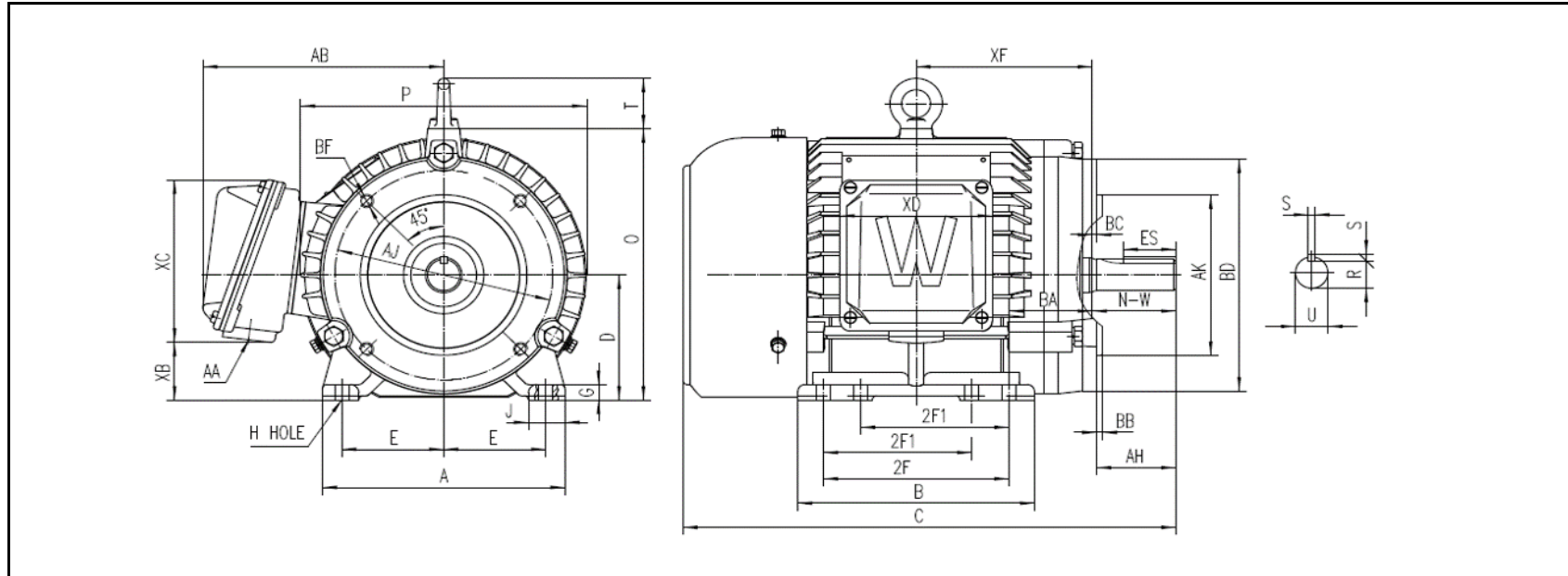
AMPERAGE INFORMATION		
	230V	460V
Full Load Amps	4.45A	2.22
Locked Rotor Amps	A	
No Load Current	40A	20A
Usable at 208V 2.98A4.92A		1.49A

BEARING INFORMATION	
DE Bearing	6205ZZ C3
ODE Bearing Grease Ty	6205ZZ C3
pe DE Regreasing	--
Interval	- Hours
ODE Regreasing Interval	- Hours

ADDITIONAL DATA	
F2 Suitable	Yes
Shaft Material	1045 Carbon Steel
Connection Diagram	230 / 460 V - 9 Lead
Approximate Weight	Y
52.6 lbs.	

# MOTOR DRAWING

Premium Efficiency Motor: **PEWWE1.5-18-145TC**



## DIMENSION - INCHES

MOUNTING					A	B	C	D	G	J	P	O	T	AB
E	2F1	2F	H	BA										
2.75	4	5	0.34	2.25	6.535	6.378	13.276	3.5	0.433	0.984	7.717	7.6	1.417	6.491

SHAFT & KEY					
S	ES	R	N-W	AH	U
0.188	1.41	0.771	2.25	2.12	0.875

TERMINAL BOX				
AA	XB	XC	XD	XF
3/4	1.61	4.55	4.094	4.748

FLANGE					
AJ	AK	BB	BD	BF	BC
5.875	4.5	0.16	6.496	3/8-16	0.12



# PERFORMANCE CURVES

Premium Efficiency Motor:

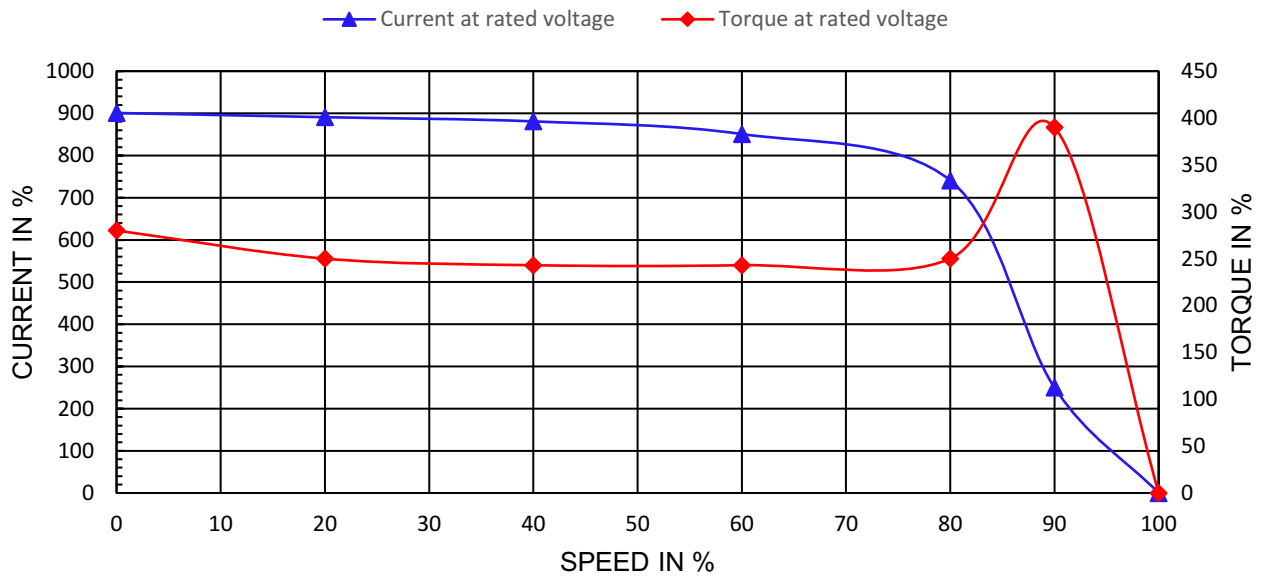
**PEWWE1.5-18-145TC**

Document Generated: 14-Oct-2024  
Document ID:

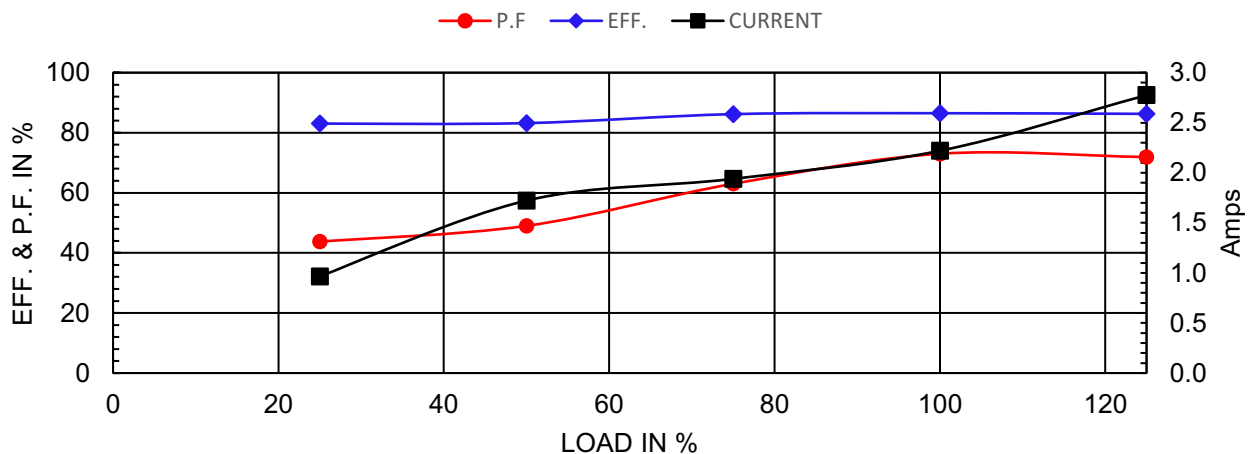
Customer:

Motor Type	PEWWE		FL Speed	1755		
Output Rating (HP)	1.5		LRT (%FLT)	280	460 volt FLA	2.22
Full Load Torque	4.49	lb.ft	BDT (%FLT)	390	230 volt FLA	4.45
Rotor Wk^2	0.0908	lb-ft^2				

### SPEED VS TORQUE & CURRENT CURVE



### OUTPUT VS EFF., P.F. & CURRENT CURVE





# NAMEPLATE / WIRING

Premium Efficiency Motor: **PEWWE1.5-18-145TC**

Document Generated: 14-Oct-2024  
 Document ID:

Customer:

## SAMPLE NAMEPLATE DATA

		<b>3-PHASE INDUCTION MOTOR</b>		259277				
Model		Ser No.		Low Voltage				50Hz
HP		S.F.		Rating		°C Amb Cont		1.0SF
Frame		P.F.		IP		Encl		HP
Voltage	230/460	Hz		Code		Type		%
Amps		RPM		Ins Cl		Design		V
Nom. Eff.	FL	% 3/4	%	10:1 CT	20:1 VT	PWM VFD	1.0SF	A
Class I DIV. 2 Groups A B C D		Amb.40°C	T3C(160°C)	High Voltage				rpm
Class I Zone 2 IIC		Amb.55°C	T3A(180°C)	Date				
Grease type:	DE Bmg							
	ODE Bmg							
<b>WorldWide Electric Corporation</b>								

Model	PEWWE1.5-18-145TC						
HP	1.5	S.F.	1.25	IP	IP55	Encl	TEFC
Frame	145TC	P.F.	0.73	Code	M	Type	
Voltage	230/460 V	Hz	60 Hz	Ins Cl	F	Ambient	40°C
Amps	4.45/2.22	RPM	1755	Design	B	DE Brng	6205ZZ C3
Nom. Eff.	FL	86.5%	3/4	86.2%	ODE Brng 6205ZZ C3		
Class 1 Division 2 Groups A,B,C,D					T3C(160°C)	Grease type: --	
50Hz							
1.5 HP		200/400 V		5.44/2.7A		1450 rpm	
Eff. 81.4%							