



DATA SHEET

Premium Efficiency Motor: **PEWWE10-12-256TC**

60 Hz

Document Generated: 14-Oct-2024
Document ID:

Customer:

MOTOR INFORMATION	
HP	10
RPM	1200
Phase	3
Frequency	60 Hz
Voltage	230/460 V
Frame Size	256TC
Enclosure	TEFC
Degree of Protection	IP55
Service Factor	1.25
Poles	6
Full Load Speed	1175
Insulation Class	F
Temp Rise	80°C
NEMA Code Letter	H
Duty Cycle	S1 / Continuous
Slip	2.10%
NEMA Design	B
Moment of Inertia	2.27 lb.ft.^2
Locked Rotor Time (Hot)	12 seconds
Sound Pressure Level	68 dB(A)
Number of Starts	2 Cold/ 1 Hot
Max Ambient Temperature	40°C
Max Elevation	1000 m.a.s.l (3300 f.a.s.l)
Mounting	F1
Rotation	Bi-Directional
Area of Classification	Class 1 Division 2 Groups A,B,C,D T3C(160°C)
Inverter Rating	10:1 CT / 20:1 VT PWM Type
Standard	NEMA MG-1
Approvals	CSA-US, CE

EFFICIENCY/POWER FACTOR		
LOAD	EFF	P. F.
100%	91.0 %	0.82
75%	91.2 %	0.76
50%	90.6 %	0.65

TORQUE		
FULL LOAD	LRT	BDT
44.7 lb.ft.	180 %	280
%		

AMPERAGE INFORMATION		
	230V	460V
Full Load Amps	25.1A	12.5
Locked Rotor Amps	A	
No Load Current	162A	81A
Usable at 208V 11.6A27.8A 5.8A		

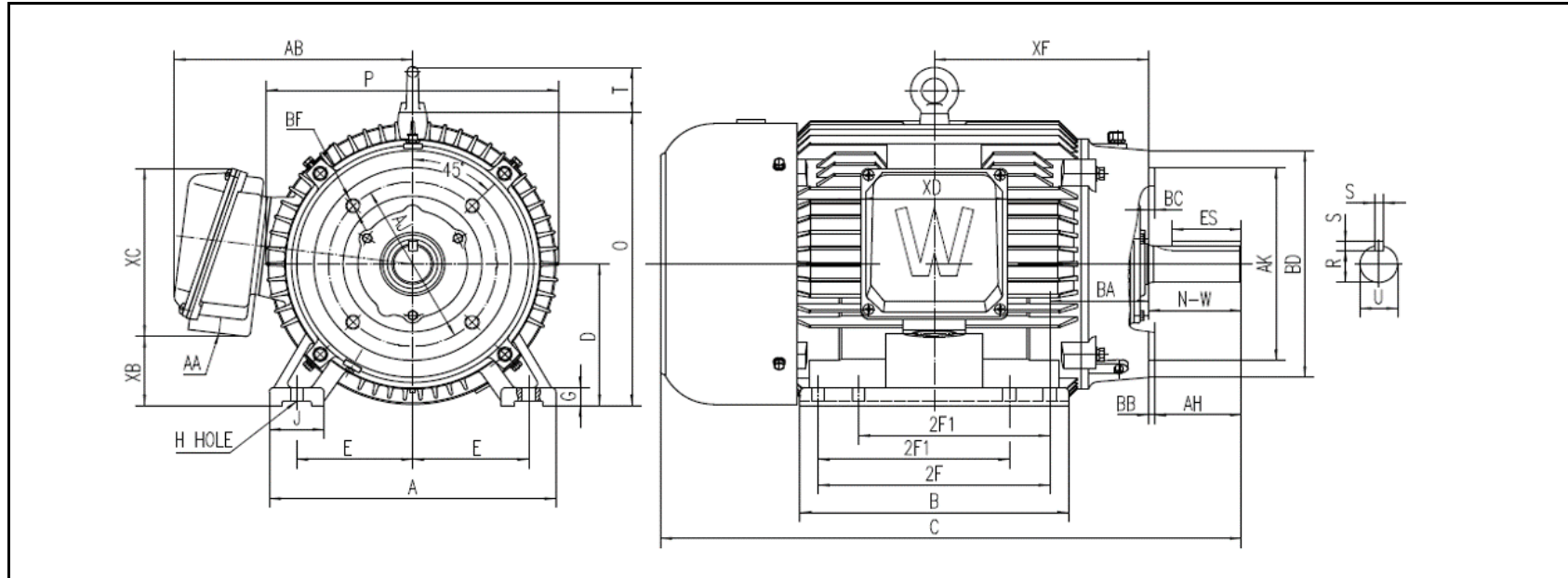
BEARING INFORMATION	
DE Bearing	6309 C3
ODE Bearing Grease Ty	6209 C3
pe DE Regreasing	SKF LGHP 2
Interval	7500 Hours
ODE Regreasing Interval	7500 Hours

ADDITIONAL DATA	
F2 Suitable	Yes
Shaft Material	1045 Carbon Steel
Connection Diagram	230 / 460 V - 9 Lead Δ
Approximate Weight	258 lbs.



MOTOR DRAWING

Premium Efficiency Motor: **PEWWE10-12-256TC**



DIMENSION - INCHES

MOUNTING					A	B	C	D	G	J	P	O	T	AB
E	2F1	2F	H	BA										
5	8.25	10	0.53	4.25	12.362	11.575	25.041	6.25	0.787	2.362	12.598	12.894	2.006	10.276

SHAFT & KEY					
S	ES	R	N-W	AH	U
0.375	2.91	1.416	4	3.75	1.625

TERMINAL BOX				
AA	XB	XC	XD	XF
1 1/2	3.047	7.406	6.299	9.23

FLANGE					
AJ	AK	BB	BD	BF	BC
7.25	8.5	0.25	10	1/2-13	0.25



PERFORMANCE CURVES

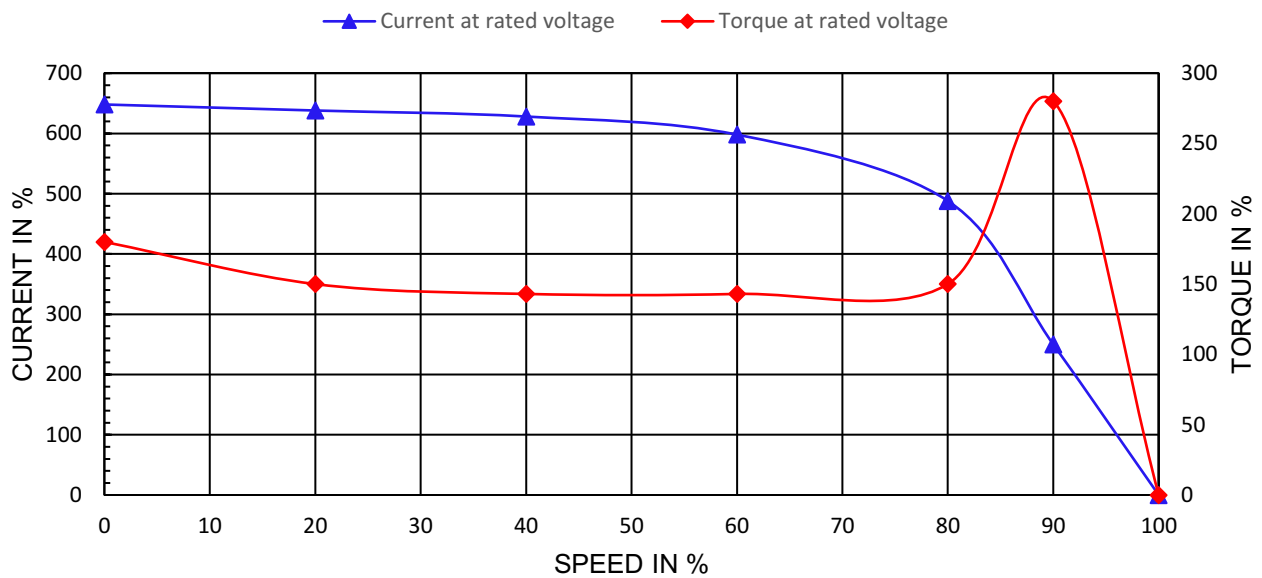
Premium Efficiency Motor: **PEWWE10-12-256TC**

Document Generated: 14-Oct-2024
 Document ID:

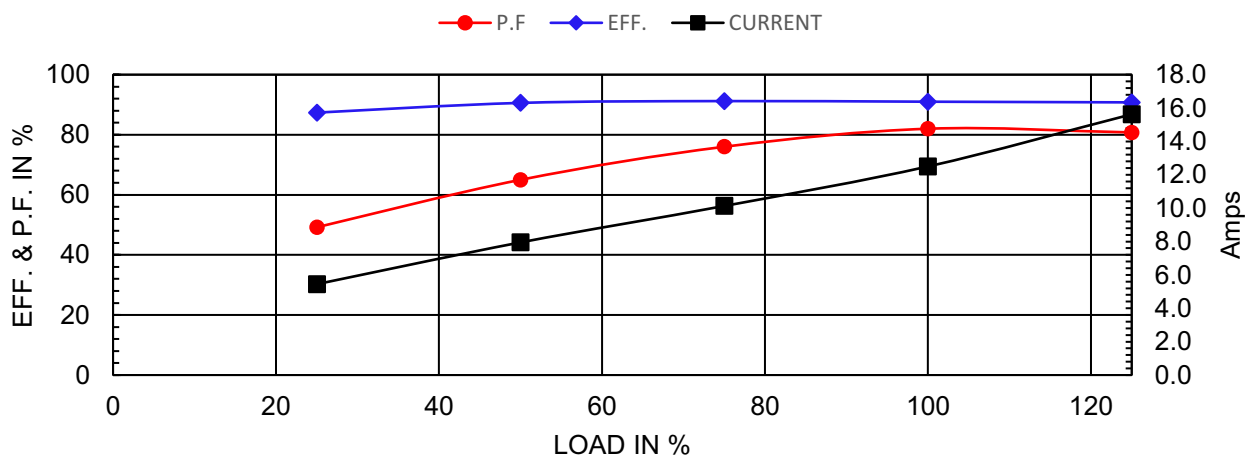
Customer:

Motor Type	PEWWE		FL Speed	1175		
Output Rating (HP)	10		LRT (%FLT)	180	460 volt FLA	12.5
Full Load Torque	44.7	lb.ft	BDT (%FLT)	280	230 volt FLA	25.1
Rotor Wk ²	2.27	lb-ft ²				

SPEED VS TORQUE & CURRENT CURVE



OUTPUT VS EFF., P.F. & CURRENT CURVE





NAMEPLATE / WIRING

Premium Efficiency Motor: **PEWWE10-12-256TC**

Document Generated: 14-Oct-2024	Customer:
Document ID:	

SAMPLE NAMEPLATE DATA

		3-PHASE INDUCTION MOTOR		259277 	
Model		Ser No.		Low Voltage 50Hz 1.0SF HP % V A rpm	
HP		S.F.		Rating	°C Amb Cont
Frame		P.F.		IP	Encl
Voltage	230/460	Hz		Code	Type
Amps		RPM		Ins Cl	Design
Nom.Eff.	FL	% 3/4	%	10:1 CT 20:1 VT PWM VFD	1.0SF
Class I DIV. 2 Groups A B C D		Amb.40°C	T3C(160°C)	Date	
Class I Zone 2 IIC		Amb.55°C	T3A(180°C)		
Grease type:	DE Brng		ODE Brng		
WorldWide Electric Corporation					

Model	PEWWE10-12-256TC						
HP	10	S.F.	1.25	IP	IP55	Encl	TEFC
Frame	256TC	P.F.	0.82	Code	H	Type	
Voltage	230/460 V	Hz	60 Hz	Ins Cl	F	Ambient	40°C
Amps	25.1/12.5	RPM	1175	Design	B	DE Brng	6309
C3 Nom.Eff.	FL	91.0%	3/4	91.2%		ODE Brng	6209
Class 1 Division 2 Groups A,B,C,D					T3C(160°C)	Grease type: SKF LGHP 2	
50Hz							
10 HP		200/400 V		30.1/15.A		970 rpm	
Eff. 87.2%							