



# DATA SHEET

Premium Efficiency Motor: **PEWWE15-12-284TC**

**60 Hz**

Document Generated: 14-Oct-2024  
Document ID:

Customer:

MOTOR INFORMATION	
HP	15
RPM	1200
Phase	3
Frequency	60 Hz
Voltage	230/460 V
Frame Size	284TC
Enclosure	TEFC
Degree of Protection	IP55
Service Factor	1.25
Poles	6
Full Load Speed	1185
Insulation Class	F
Temp Rise	80°C
NEMA Code Letter	G
Duty Cycle	S1 / Continuous
Slip	1.25%
NEMA Design	B
Moment of Inertia	3.61 lb.ft.^2
Locked Rotor Time (Hot)	15 seconds
Sound Pressure Level	70 dB(A)
Number of Starts	2 Cold/ 1 Hot
Max Ambient Temperature	40°C
Max Elevation	1000 m.a.s.l (3300 f.a.s.l)
Mounting	F1
Rotation	Bi-Directional
Area of Classification	Class 1 Division 2 Groups A,B,C,D T3C(160°C)
Inverter Rating	10:1 CT / 20:1 VT PWM Type
Standard	NEMA MG-1
Approvals	CSA-US, CE

EFFICIENCY/POWER FACTOR		
LOAD	EFF	P. F.
100%	91.7 %	0.79
75%	92.0 %	0.7
50%	5	
91.4 %		0.65

TORQUE		
FULL LOAD	LRT	BDT
66.5 lb.ft.	145 %	230 %

AMPERAGE INFORMATION		
	230V	460V
Full Load Amps	38.8A	19.4A
Locked Rotor Amps	232A	116A
No Load Current	17A	8.5A
Usable at 208V		42.9A

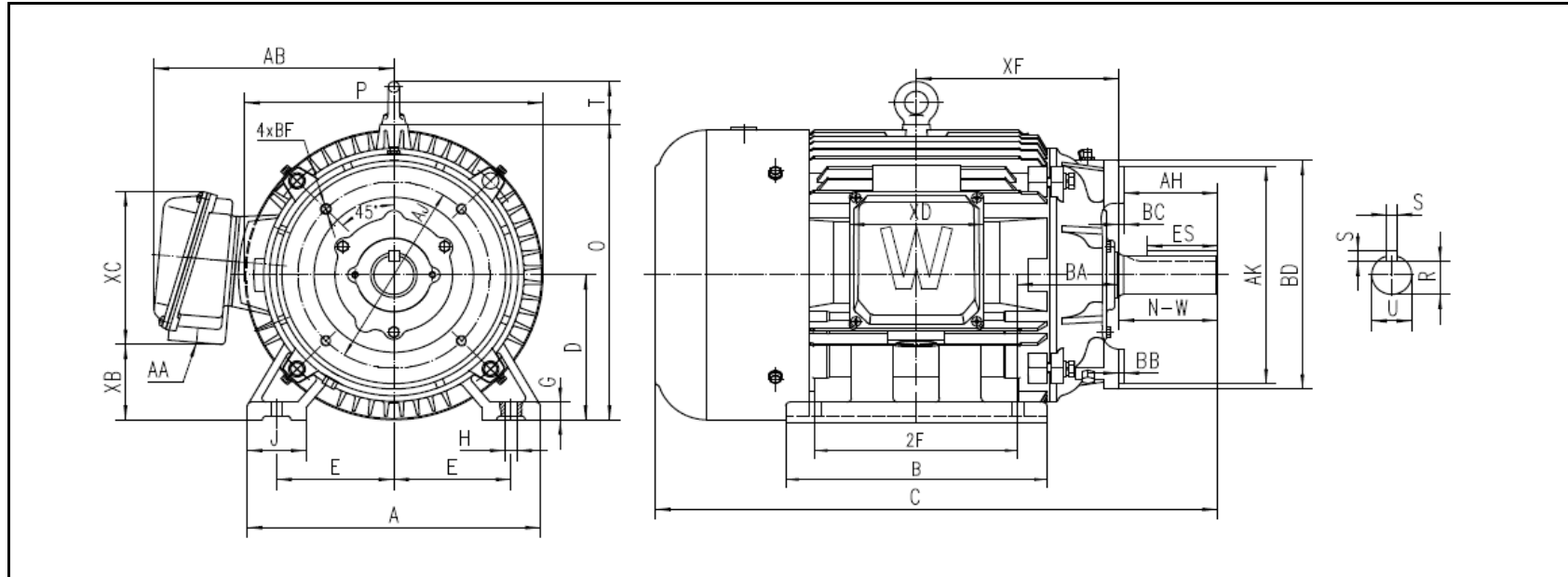
BEARING INFORMATION	
DE Bearing	6311 C3
ODE Bearing Grease Ty	6309 C3
pe DE Regreasing	SKF LGHP 2
Interval	6000 Hours
ODE Regreasing Interval	7500 Hours

ADDITIONAL DATA	
F2 Suitable	Yes
Shaft Material	1045 Carbon Steel
Connection Diagram	230 / 460 V - 12 Lead
Approximate Weight	Δ
345 lbs.	



# MOTOR DRAWING

Premium Efficiency Motor: **PEWWE15-12-284TC**



## DIMENSION - INCHES

MOUNTING					A	B	C	D	G	J	P	O	T	AB
E	2F1	2F	H	BA										
5.5	--	9.5	0.53	4.75	13.74	12.244	26.362	7	0.866	2.756	13.976	14.283	2.047	11.239

SHAFT & KEY					
S	ES	R	N-W	AH	U
0.5	3.28	1.591	4.62	4.38	1.875

TERMINAL BOX				
AA	XB	XC	XD	XF
1.5	3.645	7.381	6.299	9.5

FLANGE					
AJ	AK	BB	BD	BF	BC
9	10.5	0.25	11.024	1/2-13	0.25



# PERFORMANCE CURVES

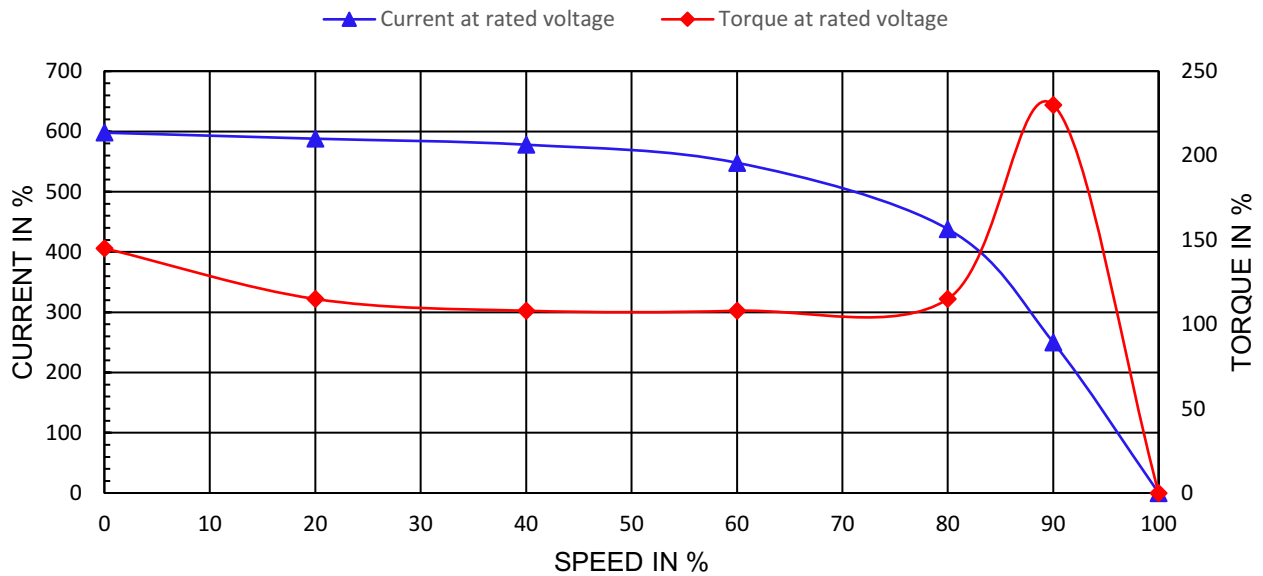
Premium Efficiency Motor: **PEWWE15-12-284TC**

Document Generated: 14-Oct-2024  
Document ID:

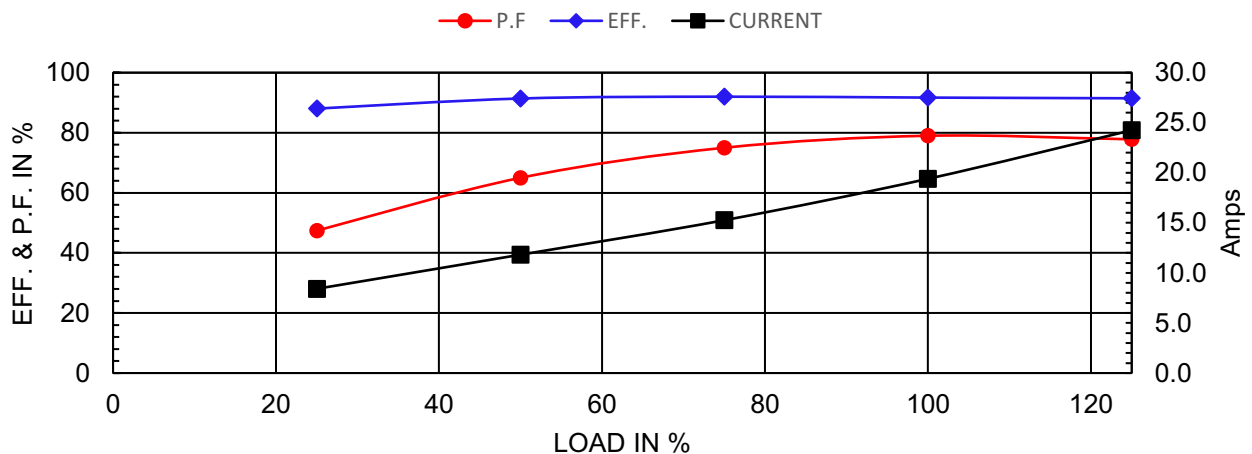
Customer:

Motor Type	PEWWE				
Output Rating (HP)	15	FL Speed	1185		
Full Load Torque	66.5 lb.ft	LRT (%FLT)	145	460 volt FLA	19.4
Rotor Wk^2	3.61 lb-ft^2	BDT (%FLT)	230	230 volt FLA	38.8

### SPEED VS TORQUE & CURRENT CURVE



### OUTPUT VS EFF., P.F. & CURRENT CURVE





# NAMEPLATE / WIRING

Premium Efficiency Motor: **PEWWE15-12-284TC**

Document Generated: 14-Oct-2024	Customer:
Document ID:	

## SAMPLE NAMEPLATE DATA

		<b>3-PHASE INDUCTION MOTOR</b>		259277 		
Model	<input type="text"/>	Ser No.	<input type="text"/>	Low Voltage 50Hz 1.0SF HP % V A rpm		
HP	<input type="text"/>	S.F.	<input type="text"/>	Rating	<input type="text"/>	°C Amb Cont
Frame	<input type="text"/>	P.F.	<input type="text"/>	IP	<input type="text"/>	Encl
Voltage	230/460	Hz	<input type="text"/>	Code	<input type="text"/>	Type
Amps	<input type="text"/>	RPM	<input type="text"/>	Ins Cl	<input type="text"/>	Design
Nom.Eff.	FL	% 3/4	<input type="text"/>	%	<input type="text"/>	10:1 CT 20:1 VT PWM VFD 1.0SF
Class I DIV. 2 Groups A B C D		Amb.40°C	T3C(160°C)			
Class I Zone 2 IIC		Amb.55°C	T3A(180°C)		Date	
Grease type: LGHP 2 (compatible with polyrex)		DE Brng ODE Brng				
<b>WorldWide Electric Corporation</b>						

Model	PEWWE15-12-284TC					
HP	15	S.F.	1.25	IP	IP55	Encl
Frame	284TC	P.F.	0.79	Code	G	Type
Voltage	230/460 V	Hz	60 Hz	Ins Cl	F	Ambient
Amps	38.8/19.4	RPM	1185	Design	B	DE Brng 6311 C3
Nom.Eff.	FL	91.7%	3/4	92.0%		ODE Brng 6309
Class 1 Division 2 Groups A,B,C,D					T3C(160°C)	Grease type: SKF LGHP 2
50Hz						
15 HP		200/400 V		46.1/23.A		980 rpm
Eff. 88.7%						