



# DATA SHEET

Premium Efficiency Motor: **PEWWE15-18-254TC**

**60 Hz**

Document Generated: 14-Oct-2024  
Document ID:

Customer:

MOTOR INFORMATION	
HP	15
RPM	1800
Phase	3
Frequency	60 Hz
Voltage	230/460 V
Frame Size	254TC
Enclosure	TEFC
Degree of Protection	IP55
Service Factor	1.25
Poles	4
Full Load Speed	1765
Insulation Class	F
Temp Rise	80°C
NEMA Code Letter	G
Duty Cycle	S1 / Continuous
Slip	1.94%
NEMA Design	B
Moment of Inertia	1.73 lb.ft.^2
Locked Rotor Time (Hot)	20 seconds
Sound Pressure Level	67 dB(A)
Number of Starts	2 Cold/ 1 Hot
Max Ambient Temperature	40°C
Max Elevation	1000 m.a.s.l (3300 f.a.s.l)
Mounting	F1
Rotation	Bi-Directional
Area of Classification	Class 1 Division 2 Groups A,B,C,D T3C(160°C)
Inverter Rating	10:1 CT / 20:1 VT PWM Type
Standard	NEMA MG-1
Approvals	CSA-US, CE

EFFICIENCY/POWER FACTOR		
LOAD	EFF	P. F.
100%	92.4 %	0.84
75%	92.7 %	0.79
50%	91.9 %	0.69

TORQUE		
FULL LOAD	LRT	BDT
44.6 lb.ft.	170 %	250 %

AMPERAGE INFORMATION		
	230V	460V
Full Load Amps	36.2A	18.1
Locked Rotor Amps	A	
No Load Current	232A	116A
Usable at 208V	15A	40A
		7.5A

BEARING INFORMATION	
DE Bearing	6309 C3
ODE Bearing Grease Ty	6209 C3
pe DE Regreasing	SKF LGHP 2
Interval	5000 Hours
ODE Regreasing Interval	5000 Hours

ADDITIONAL DATA	
F2 Suitable	Yes
Shaft Material	1045 Carbon Steel
Connection Diagram	230 / 460 V - 9 Lead Δ
Approximate Weight	254 lbs.



**Electrical Helper.org**  
 For All Your Electric Needs Since 1928  
 411 N Platte Ave. York, NE. 68467

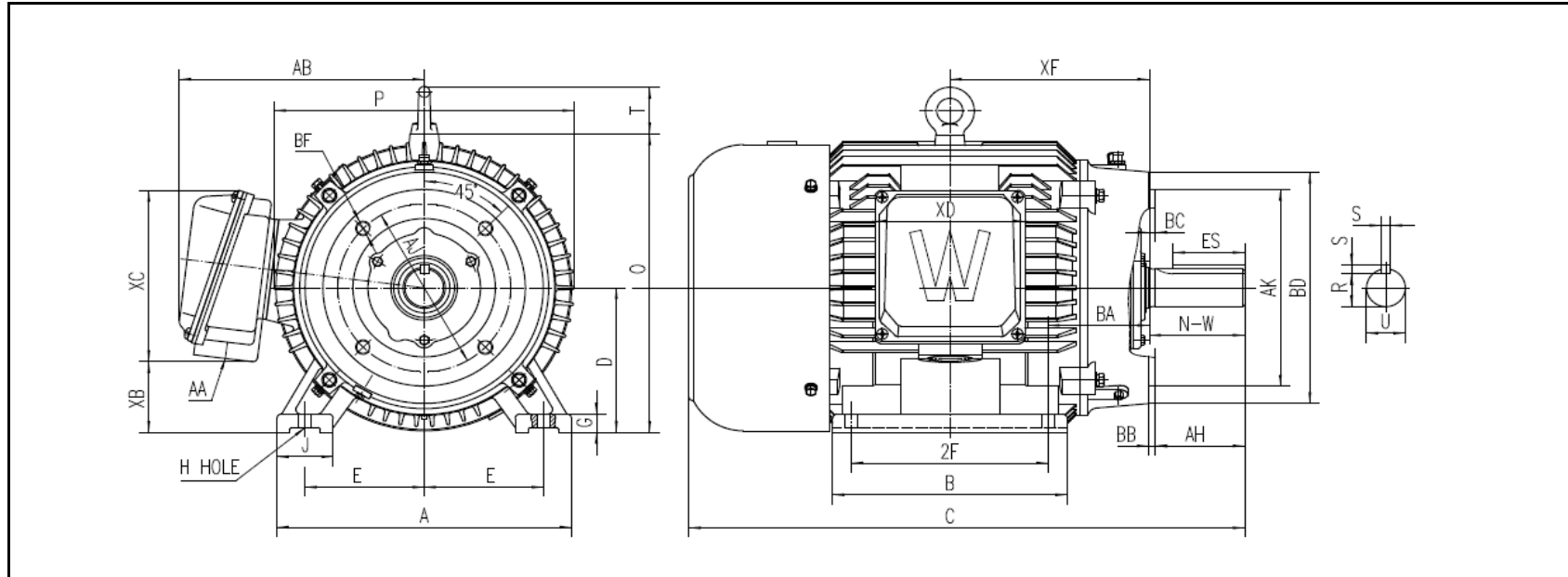
AC-DC MOTORS :: SALES & SERVICE  
 REWINDING :: CUSTOM CONTROL PANEL

Kelly MacMillan  
 Office Ph: 888-226-4917  
 Fax: 888-226-4917  
 Cell: 402-679-1579  
 E-Mail: kelly@electricalhelper.com



# MOTOR DRAWING

Premium Efficiency Motor: **PEWWE15-18-254TC**



## DIMENSION - INCHES

MOUNTING					A	B	C	D	G	J	P	O	T	AB
E	2F1	2F	H	BA										
5	--	8.25	0.53	4.25	12.362	9.843	23.309	6.25	0.787	2.362	12.598	12.894	2.006	10.276

SHAFT & KEY					
S	ES	R	N-W	AH	U
0.375	2.91	1.416	4	3.75	1.625

TERMINAL BOX				
AA	XB	XC	XD	XF
1.5	3.047	7.406	6.299	8.364

FLANGE					
AJ	AK	BB	BD	BF	BC
7.25	8.5	0.25	10	1/2-13	0.25



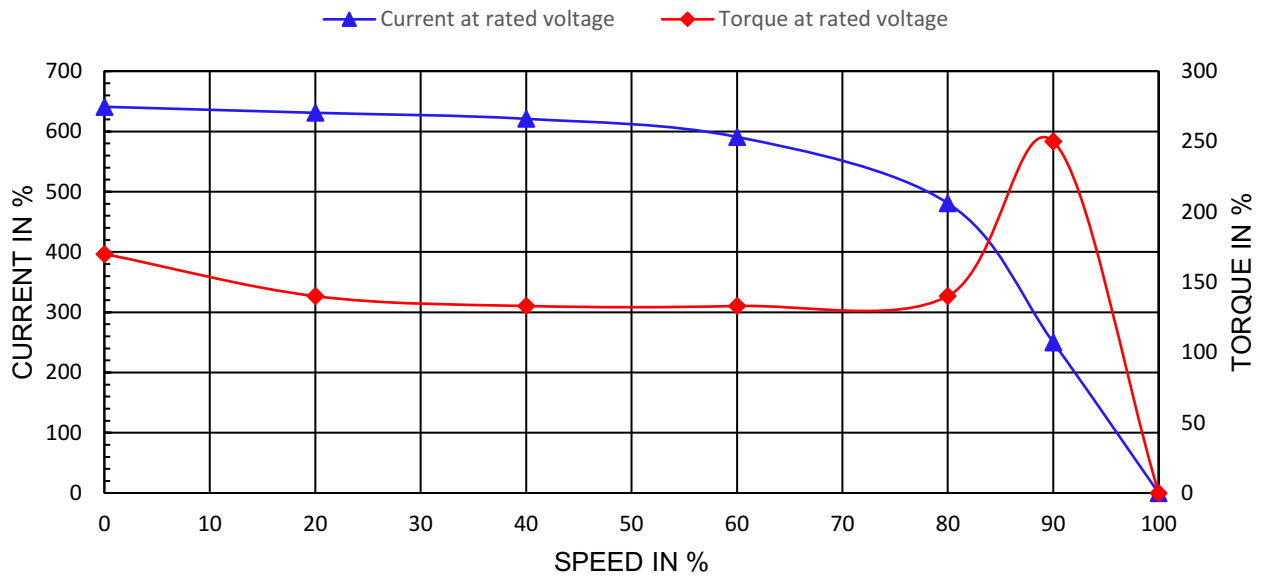
# PERFORMANCE CURVES

Premium Efficiency Motor: **PEWWE15-18-254TC**

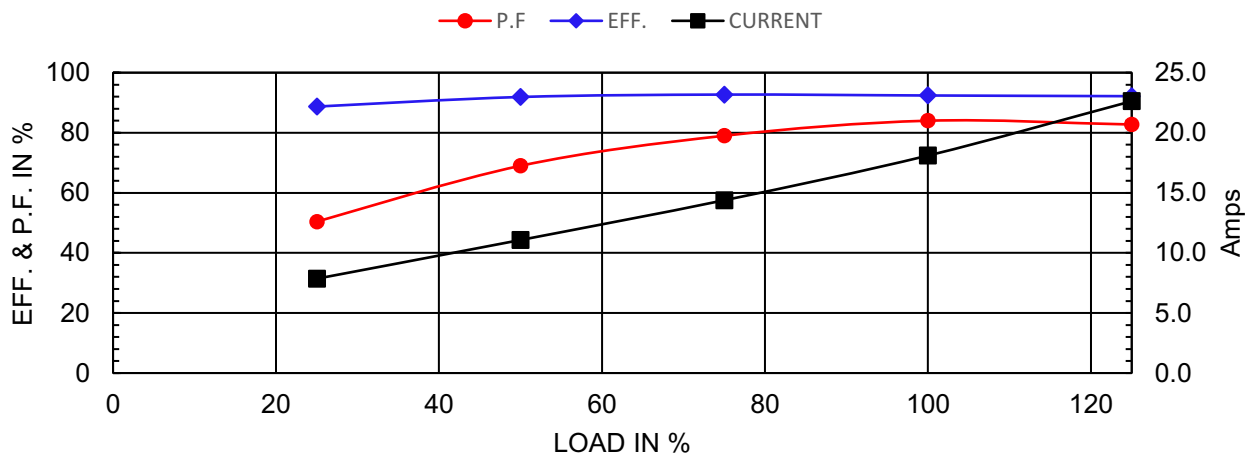
Document Generated: 14-Oct-2024	Customer:
Document ID:	

Motor Type	PEWWE		FL Speed	1765	
Output Rating (HP)	15		LRT (%FLT)	170	460 volt FLA 18.1
Full Load Torque	44.6	lb.ft	BDT (%FLT)	250	230 volt FLA 36.2
Rotor Wk^2	1.73	lb-ft^2			

SPEED VS TORQUE & CURRENT CURVE



OUTPUT VS EFF., P.F. & CURRENT CURVE





# NAMEPLATE / WIRING

Premium Efficiency Motor: **PEWWE15-18-254TC**

Document Generated: 14-Oct-2024  
 Document ID:

Customer:

## SAMPLE NAMEPLATE DATA

		<b>NEMA Premium</b>		<b>3-PHASE INDUCTION MOTOR</b>		259277			
Model		Ser No.		Low Voltage		50Hz			
HP	S.F.	Rating	°C Amb Cont		6	4	5	1.0SF	
Frame	P.F.	IP	Encl	7		8	9	HP	
Voltage	230/460	Hz	Code	Type	1	2	3	%	
Amps	RPM	Ins Cl	Design	L1		L2	L3	V	
Nom.Eff.	FL	% 3/4	%	10:1 CT	20:1 VT	PWM	VFD	1.0SF	A
Class I DIV. 2 Groups A B C D		Amb.40°C	T3C(160°C)	4		5	6	rpm	
Class I Zone 2 IIC		Amb.55°C	T3A(180°C)	7		8	9		
Date		1		2		3			
Grease type:		DE Brng		L1		L2		L3	
		ODE Brng							
<b>WorldWide Electric Corporation</b>									

Model	PEWWE15-18-254TC								
HP	15	S.F.	1.25	IP	IP55	Encl	TEFC		
Frame	254TC	P.F.	0.84	Code	G	Type			
Voltage	230/460 V	Hz	60 Hz	Ins Cl	F	Ambient	40°C		
Amps	36.2/18.1	RPM	1765	Design	B	DE Brng	6309 C3		
Nom.Eff.	FL	92.4%	3/4	92.7%	ODE Brng	6209 C3			
Class 1 Division 2 Groups A,B,C,D				T3C(160°C)	Grease type: SKF LGHP 2				
50Hz									
15 HP		200/400 V		42.8/21.A		1460 rpm			
Eff. 89.8%									