



DATA SHEET

Premium Efficiency Motor: **PEWWE25-18-284TC**

60 Hz

Document Generated: 14-Oct-2024
Document ID:

Customer:

| MOTOR INFORMATION | |
|-------------------------|--|
| HP | 25 |
| RPM | 1800 |
| Phase | 3 |
| Frequency | 60 Hz |
| Voltage | 230/460 V |
| Frame Size | 284TC |
| Enclosure | TEFC |
| Degree of Protection | IP55 |
| Service Factor | 1.25 |
| Poles | 4 |
| Full Load Speed | 1770 |
| Insulation Class | F |
| Temp Rise | 80°C |
| NEMA Code Letter | G |
| Duty Cycle | S1 / Continuous |
| Slip | 1.67% |
| NEMA Design | B |
| Moment of Inertia | 3.07 lb.ft.^2 |
| Locked Rotor Time (Hot) | 15 seconds |
| Sound Pressure Level | 70 dB(A) |
| Number of Starts | 2 Cold/ 1 Hot |
| Max Ambient Temperature | 40°C |
| Max Elevation | 1000 m.a.s.l (3300 f.a.s.l) |
| Mounting | F1 |
| Rotation | Bi-Directional |
| Area of Classification | Class 1 Division 2 Groups A,B,C,D T3C(160°C) |
| Inverter Rating | 10:1 CT / 20:1 VT PWM Type |
| Standard | NEMA MG-1 |
| Approvals | CSA-US, CE |

| EFFICIENCY/POWER FACTOR | | |
|-------------------------|--------|-------|
| LOAD | EFF | P. F. |
| 100% | 93.6 % | 0.85 |
| 75% | 93.9 % | 0.8 |
| 50% | 2 | |
| 93.3 % | | 0.73 |

| TORQUE | | |
|-------------|-------|-----|
| FULL LOAD | LRT | BDT |
| 74.2 lb.ft. | 160 % | 240 |
| % | | |

| AMPERAGE INFORMATION | | |
|---------------------------------|-------|-------|
| | 230V | 460V |
| Full Load Amps | 58.8A | 29.4A |
| Locked Rotor Amps | 365A | 182.5 |
| No Load Current | A | |
| Usable at 208V 21.2A65.1A 10.6A | | |

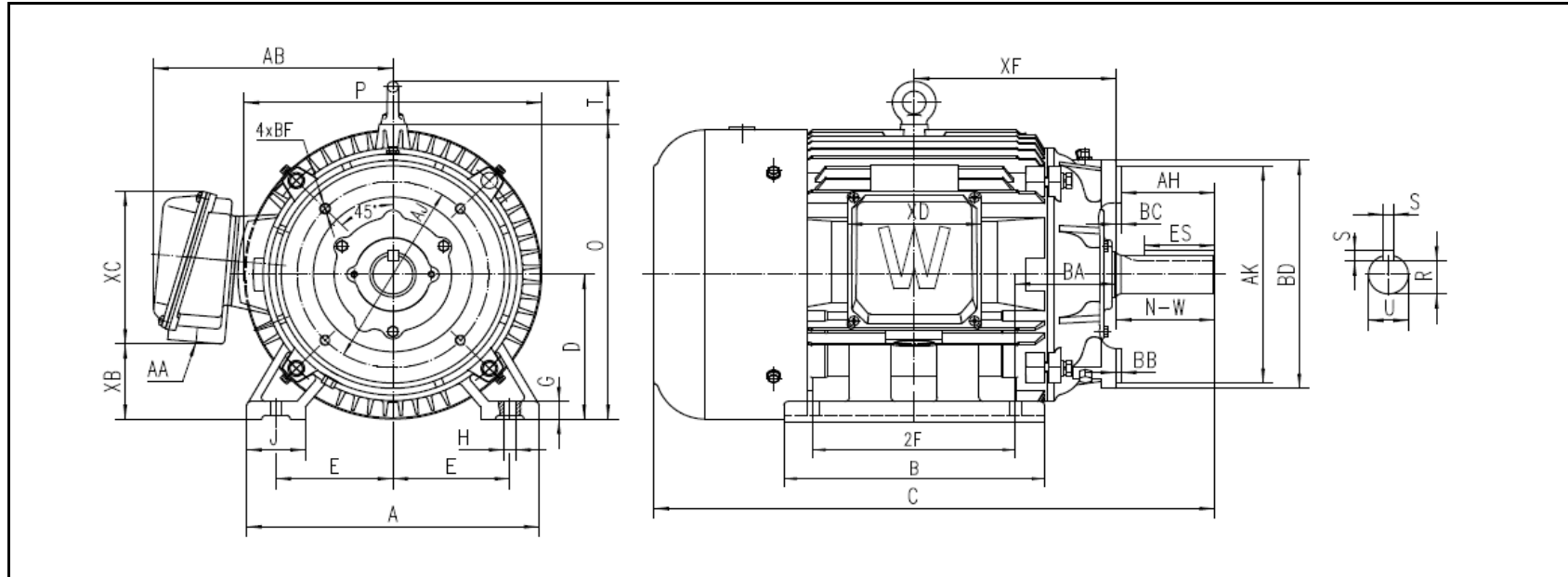
| BEARING INFORMATION | |
|-------------------------|------------|
| DE Bearing | 6311 C3 |
| ODE Bearing Grease Ty | 6309 C3 |
| pe DE Regreasing | SKF LGHP 2 |
| Interval | 4000 Hours |
| ODE Regreasing Interval | 5000 Hours |

| ADDITIONAL DATA | |
|--------------------|-----------------------|
| F2 Suitable | Yes |
| Shaft Material | 1045 Carbon Steel |
| Connection Diagram | 230 / 460 V - 12 Lead |
| Approximate Weight | Δ |
| 367 lbs. | |



MOTOR DRAWING

Premium Efficiency Motor: **PEWWE25-18-284TC**



DIMENSION - INCHES

| MOUNTING | | | | | A | B | C | D | G | J | P | O | T | AB |
|----------|-----|-----|------|------|-------|--------|--------|---|-------|-------|--------|--------|-------|--------|
| E | 2F1 | 2F | H | BA | | | | | | | | | | |
| 5.5 | -- | 9.5 | 0.53 | 4.75 | 13.74 | 12.244 | 26.362 | 7 | 0.866 | 2.756 | 13.976 | 14.283 | 2.047 | 11.239 |

| SHAFT & KEY | | | | | |
|-------------|------|-------|------|------|-------|
| S | ES | R | N-W | AH | U |
| 0.5 | 3.28 | 1.591 | 4.62 | 4.38 | 1.875 |

| TERMINAL BOX | | | | |
|--------------|-------|-------|-------|-----|
| AA | XB | XC | XD | XF |
| 1.5 | 3.645 | 7.381 | 6.299 | 9.5 |

| FLANGE | | | | | |
|--------|------|------|--------|--------|------|
| AJ | AK | BB | BD | BF | BC |
| 9 | 10.5 | 0.25 | 11.024 | 1/2-13 | 0.25 |



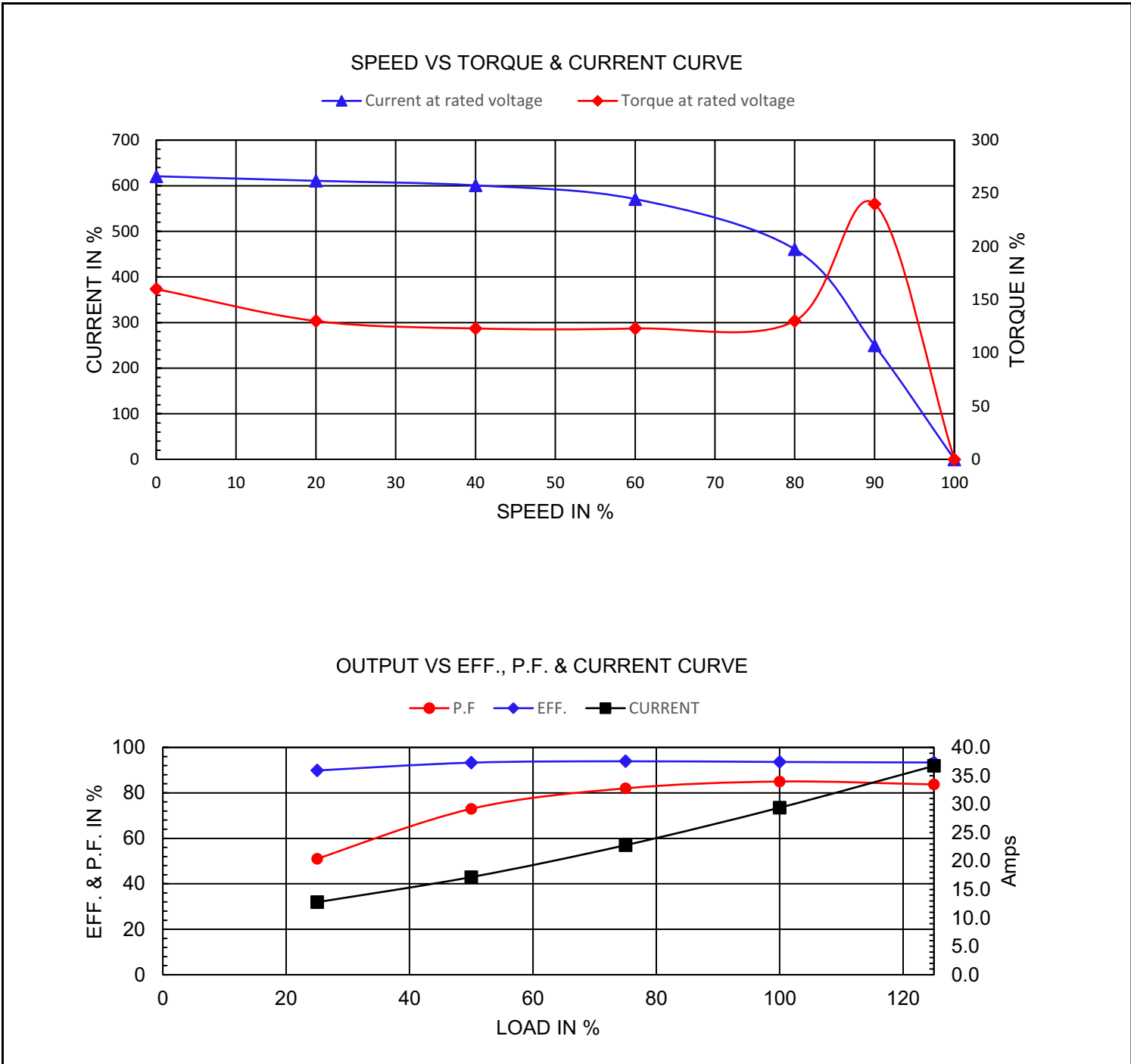
PERFORMANCE CURVES

Premium Efficiency Motor: **PEWWE25-18-284TC**

Document Generated: 14-Oct-2024
 Document ID:

Customer:

| | | | | | | |
|--------------------|-------|---------|------------|------|--------------|------|
| Motor Type | PEWWE | | FL Speed | 1770 | | |
| Output Rating (HP) | 25 | | LRT (%FLT) | 160 | 460 volt FLA | 29.4 |
| Full Load Torque | 74.2 | lb.ft | BDT (%FLT) | 240 | 230 volt FLA | 58.8 |
| Rotor Wk^2 | 3.07 | lb-ft^2 | | | | |





NAMEPLATE / WIRING

Premium Efficiency Motor: **PEWWE25-18-284TC**

Document Generated: 14-Oct-2024
 Document ID:

Customer:

SAMPLE NAMEPLATE DATA

| | | | | | | | | |
|--|----------------------|--------------------------------|----------------------|-------------|----------------------|-------------|----------------------|-------|
| | | 3-PHASE INDUCTION MOTOR | | 259277 | | | CC006A | |
| Model | <input type="text"/> | Ser No. | <input type="text"/> | Low Voltage | | | | 50Hz |
| HP | <input type="text"/> | S.F. | <input type="text"/> | Rating | <input type="text"/> | °C Amb Cont | | 1.0SF |
| Frame | <input type="text"/> | P.F. | <input type="text"/> | IP | <input type="text"/> | Encl | <input type="text"/> | HP |
| Voltage | 230/460 | Hz | <input type="text"/> | Code | <input type="text"/> | Type | <input type="text"/> | % |
| Amps | <input type="text"/> | RPM | <input type="text"/> | Ins Cl | <input type="text"/> | Design | <input type="text"/> | V |
| Nom.Eff. | FL | % 3/4 | % | 10:1 CT | 20:1 VT | PWM VFD | 1.0SF | A |
| Class I DIV. 2 Groups A B C D | | Amb.40°C | T3C(160°C) | | | | | rpm |
| Class I Zone 2 IIC | | Amb.55°C | T3A(180°C) | Date | | | | |
| Grease type: LGHP 2 (compatible with polyrex) | | DE Brng ODE Brng | | | | | | |
| WorldWide Electric Corporation | | | | | | | | |

| | | | | | | | |
|-----------------------------------|---|-----------|------------------------------------|------------|-----------------------------------|-------------------------|-----------------------------------|
| Model | <input type="text" value="PEWWE25-18-284TC"/> | | | | | | |
| HP | <input type="text" value="25"/> | S.F. | <input type="text" value="1.25"/> | IP | <input type="text" value="IP55"/> | Encl | <input type="text" value="TEFC"/> |
| Frame | <input type="text" value="284TC"/> | P.F. | <input type="text" value="0.85"/> | Code | <input type="text" value="G"/> | Type | |
| Voltage | <input type="text" value="230/460 V"/> | Hz | <input type="text" value="60 Hz"/> | Ins Cl | <input type="text" value="F"/> | Ambient | <input type="text" value="40°C"/> |
| Amps | <input type="text" value="58.8/29.4"/> | RPM | <input type="text" value="1770"/> | Design | <input type="text" value="B"/> | DE Brng | 6311 C3 |
| Nom.Eff. | FL | 93.6% | 3/4 | 93.9% | ODE Brng 6309 C3 | | |
| Class 1 Division 2 Groups A,B,C,D | | | | T3C(160°C) | | Grease type: SKF LGHP 2 | |
| 50Hz | | | | | | | |
| 25 HP | | 200/400 V | | 69.5/34.A | | 1465 rpm | |
| Eff. 90.9% | | | | | | | |