



# DATA SHEET

Premium Efficiency Motor: **PEWWE3-18-182TC**

**60 Hz**

Document Generated: 14-Oct-2024  
 Document ID:

Customer:

MOTOR INFORMATION	
HP	3
RPM	1800
Phase	3
Frequency	60 Hz
Voltage	230/460 V
Frame Size	182TC
Enclosure	TEFC
Degree of Protection	IP55
Service Factor	1.25
Poles	4
Full Load Speed	1755
Insulation Class	F
Temp Rise	80°C
NEMA Code Letter	K
Duty Cycle	S1 / Continuous
Slip	2.50%
NEMA Design	B
Moment of Inertia	0.217 lb.ft.^2
Locked Rotor Time (Hot)	12 seconds
Sound Pressure Level	63 dB(A)
Number of Starts	2 Cold/ 1 Hot
Max Ambient Temperature	40°C
Max Elevation	1000 m.a.s.l (3300 f.a.s.l)
Mounting	F1
Rotation	Bi-Directional
Area of Classification	Class 1 Division 2 Groups A,B,C,D T3C(160°C)
Inverter Rating	10:1 CT / 20:1 VT PWM Type
Standard	NEMA MG-1
Approvals	CSA-US, CE

EFFICIENCY/POWER FACTOR		
LOAD	EFF	P. F.
100%	89.5 %	0.77
75%	89.7 %	0.6
50%	9	
88.0 %		0.56

TORQUE		
FULL LOAD	LRT	BD
9 lb.ft.	220 %	320 %

AMPERAGE INFORMATION		
	230V	460V
Full Load Amps	8.15A	4.08A
Locked Rotor Amps	64A	32A
No Load Current	5A	2.5A
Usable at 208V		9.01A

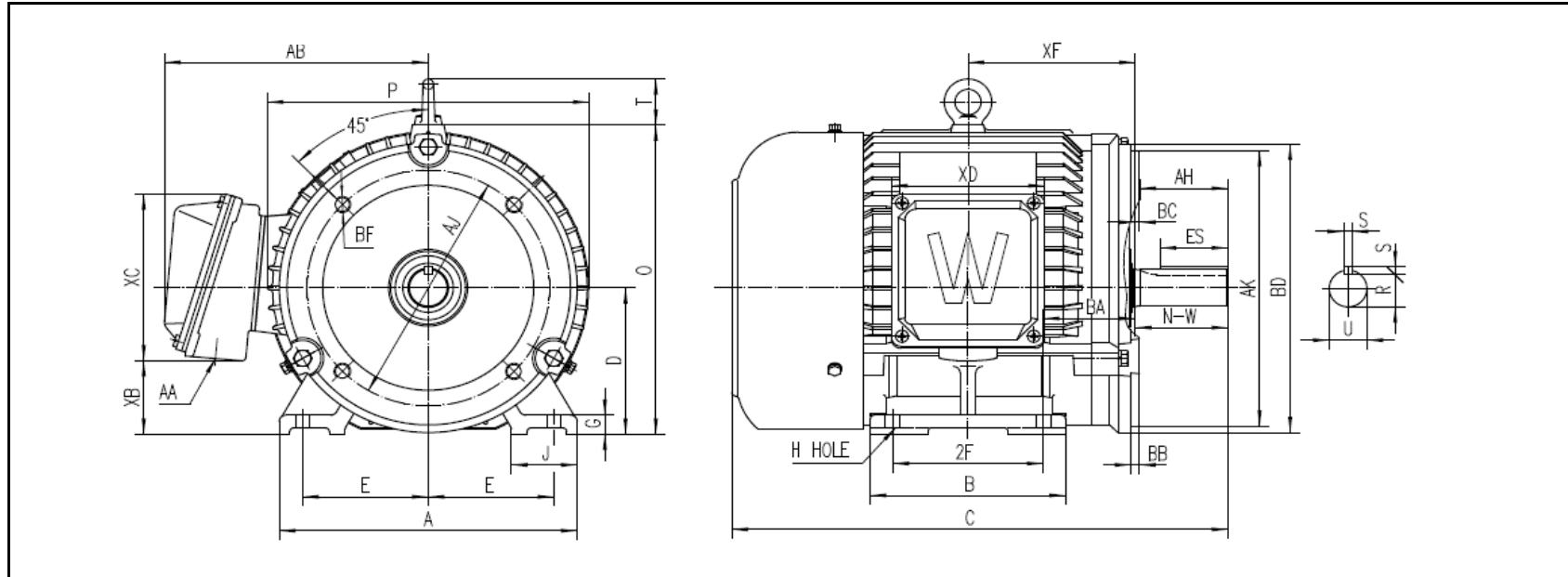
BEARING INFORMATION	
DE Bearing	6206ZZ
ODE Bearing Grease Ty	C3
pe DE Regreasing	6206ZZ
Interval	C3
ODE Regreasing Interval	--
- Hours	
- Hours	

ADDITIONAL DATA	
F2 Suitable	Yes
Shaft Material	1045 Carbon Steel
Connection Diagram	230 / 460 V - 9 Lead Y
Approximate Weight	83.5 lbs.



# MOTOR DRAWING

Premium Efficiency Motor: **PEWWE3-18-182TC**



## DIMENSION - INCHES

MOUNTING					A	B	C	D	G	J	P	O	T	AB
E	2F1	2F	H	BA										
3.75	-	4.5	0.41	2.75	8.898	5.827	14.803	4.5	0.591	1.969	9.606	9.5	1.417	7.876

SHAFT & KEY					
S	ES	R	N-W	AH	U
0.25	1.78	0.986	2.75	2.62	1.125

TERMINAL BOX				
AA	XB	XC	XD	XF
1	2.26	5.124	4.567	4.997

FLANGE					
AJ	AK	BB	BD	BF	BC
7.25	8.5	0.25	8.86	1/2-13	0.12



# PERFORMANCE CURVES

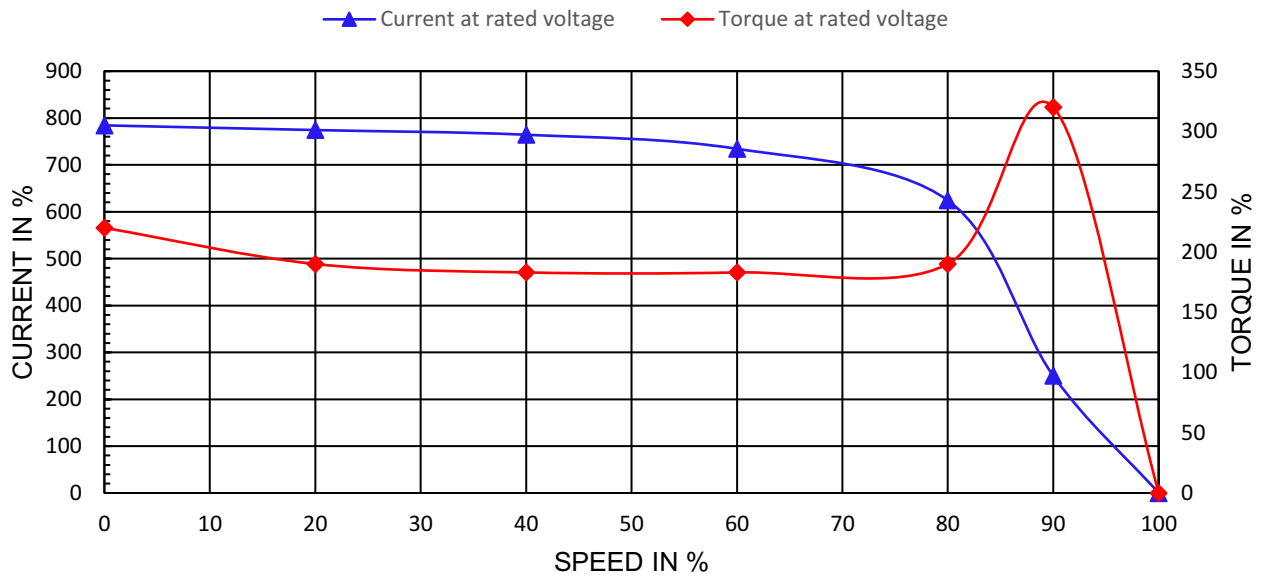
Premium Efficiency Motor: **PEWWE3-18-182TC**

Document Generated: 14-Oct-2024  
 Document ID:

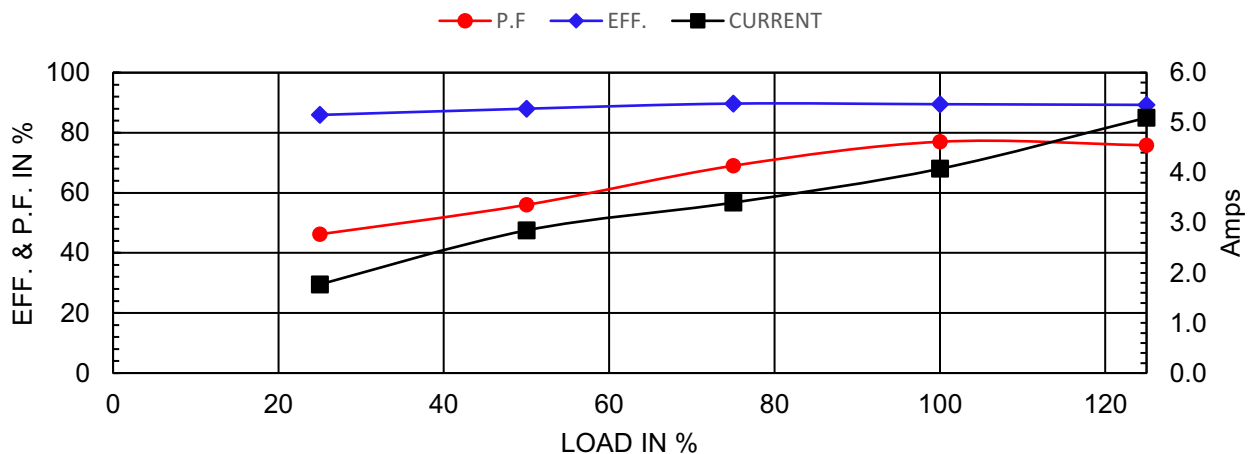
Customer:

Motor Type	PEWWE		FL Speed	1755	
Output Rating (HP)	3		LRT (%FLT)	220	460 volt FLA 4.08
Full Load Torque	9	lb.ft	BDT (%FLT)	320	230 volt FLA 8.15
Rotor Wk^2	0.217	lb-ft^2			

SPEED VS TORQUE & CURRENT CURVE



OUTPUT VS EFF., P.F. & CURRENT CURVE





# NAMEPLATE / WIRING

Premium Efficiency Motor: **PEWWE3-18-182TC**

Document Generated: 14-Oct-2024	Customer:
Document ID:	

## SAMPLE NAMEPLATE DATA

		<b>3-PHASE INDUCTION MOTOR</b>		259277 	
Model	<input type="text"/>	Ser No.	<input type="text"/>	Low Voltage 4-5-6 7-8-9 1-2-3 L1 L2 L3	
HP	<input type="text"/>	S.F.	<input type="text"/>	Rating	<input type="text"/> °C Amb Cont
Frame	<input type="text"/>	P.F.	<input type="text"/>	IP	<input type="text"/>
Voltage	<input type="text"/>	Hz	<input type="text"/>	Code	<input type="text"/>
Amps	<input type="text"/>	RPM	<input type="text"/>	Ins Cl	<input type="text"/>
Nom. Eff.	FL	% 3/4	<input type="text"/>	%	<input type="text"/>
Class I DIV. 2 Groups A B C D Class I Zone 2 IIC		Amb. 40°C	T3C(160°C)	10:1 CT 20:1 VT PWM VFD 1.0SF	
Grease type:		DE Brng ODE Brng			
<b>WorldWide Electric Corporation</b>					

Model	<input type="text" value="PEWWE3-18-182TC"/>				
HP	<input type="text" value="3"/>	S.F.	<input type="text" value="1.25"/>	IP	<input type="text" value="IP55"/>
Frame	<input type="text" value="182TC"/>	P.F.	<input type="text" value="0.77"/>	Code	<input type="text" value="K"/>
Voltage	<input type="text" value="230/460 V"/>	Hz	<input type="text" value="60 Hz"/>	Ins Cl	<input type="text" value="F"/>
Amps	<input type="text" value="8.15/4.08"/>	RPM	<input type="text" value="1755"/>	Design	<input type="text" value="B"/>
Nom. Eff.	FL	<input type="text" value="89.5%"/>	<input type="text" value="3/4"/>	<input type="text" value="89.7%"/>	
Class 1 Division 2 Groups A,B,C,D				T3C(160°C)	
		Grease type: --			
50Hz					
3 HP		200/400 V		9.95/4.9A	
1450 rpm					
Eff. 84.3%					