



# DATA SHEET

Premium Efficiency Motor: **PEWWE30-12-326TC**

**60 Hz**

Document Generated: 14-Oct-2024  
Document ID:

Customer:

MOTOR INFORMATION	
HP	30
RPM	1200
Phase	3
Frequency	60 Hz
Voltage	230/460 V
Frame Size	326TC
Enclosure	TEFC
Degree of Protection	IP55
Service Factor	1.25
Poles	6
Full Load Speed	1185
Insulation Class	F
Temp Rise	80°C
NEMA Code Letter	G
Duty Cycle	S1 / Continuous
Slip	1.25%
NEMA Design	B
Moment of Inertia	8.45 lb.ft.^2
Locked Rotor Time (Hot)	14 seconds
Sound Pressure Level	70 dB(A)
Number of Starts	2 Cold/ 1 Hot
Max Ambient Temperature	40°C
Max Elevation	1000 m.a.s.l (3300 f.a.s.l)
Mounting	F1
Rotation	Bi-Directional
Area of Classification	Class 1 Division 2 Groups A,B,C,D T3C(160°C)
Inverter Rating	10:1 CT / 20:1 VT PWM Type
Standard	NEMA MG-1
Approvals	CSA-US, CE

EFFICIENCY/POWER FACTOR		
LOAD	EFF	P. F.
100%	93.0 %	0.78
75%	93.3 %	0.7
50%	5	
92.9 %		0.64

TORQUE		
FULL LOAD	LRT	BD
433 lb.ft.	150 %	210 %

AMPERAGE INFORMATION		
	230V	460V
Full Load Amps	77.4A	38.7A
Locked Rotor Amps	435A	217.5A
No Load Current	34A	17A
Usable at 208V		85.6A

BEARING INFORMATION	
DE Bearing	6312 C3
ODE Bearing Grease Ty	6311 C3
pe DE Regreasing	SKF LGHP 2
Interval	6000 Hours
ODE Regreasing Interval	6000 Hours

ADDITIONAL DATA	
F2 Suitable	Yes
Shaft Material	1045 Carbon Steel
Connection Diagram	230 / 460 V - 12 Lead
Approximate Weight	Δ
534 lbs.	

# MOTOR DRAWING

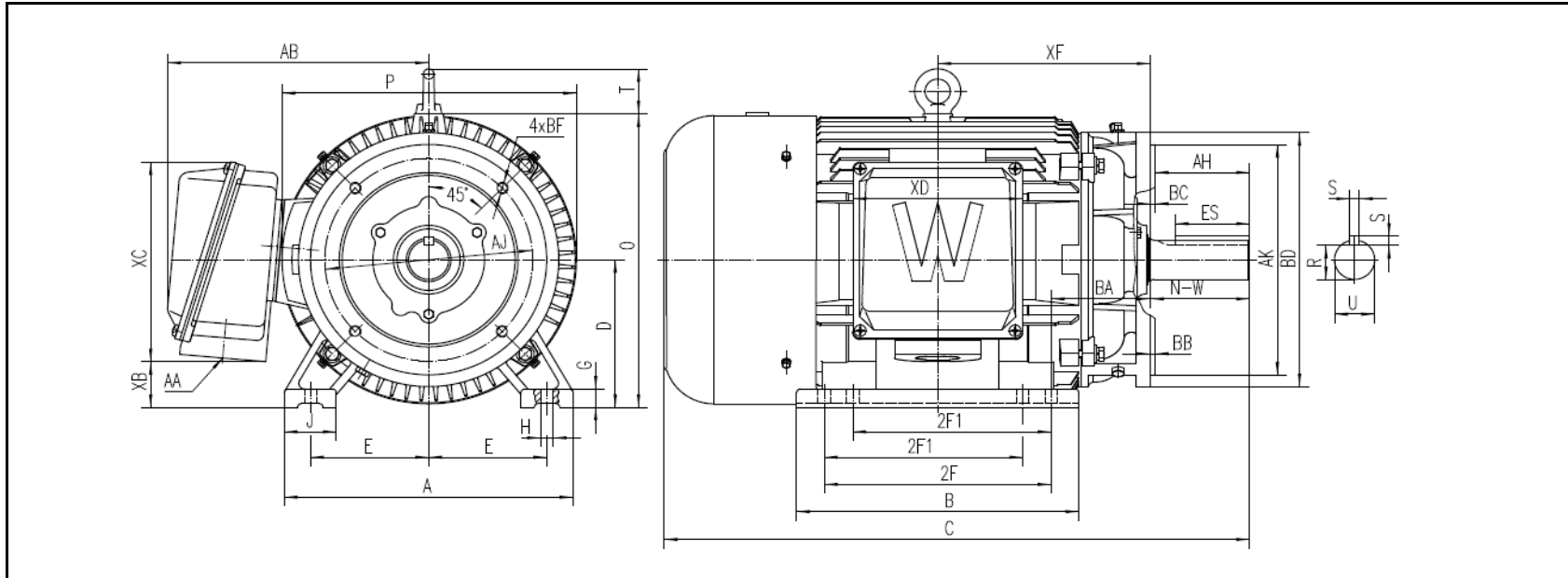
Premium Efficiency Motor: **PEWWE30-12-326TC**



**Electrical Helper.org**  
For All Your Electric Needs Since 1928  
411 N Platte Ave. York, NE. 68467

AC-DC MOTORS :: SALES & SERVICE  
REWINDING :: CUSTOM CONTROL PANEL

Kelly MacMillan  
Office Ph: 888-226-4917  
Fax: 888-226-4917  
Cell: 402-679-1579  
E-Mail: kelly@electricalhelper.com



## DIMENSION - INCHES

MOUNTING					A	B	C	D	G	J	P	O	T	AB
E	2F1	2F	H	BA										
6.25	10.5	12	0.66	5.25	15.276	14.921	30.967	8	0.984	2.756	15.571	15.913	2.441	13.813

SHAFT & KEY					
S	ES	R	N-W	AH	U
0.5	3.91	1.845	5.25	5	2.125

TERMINAL BOX				
AA	XB	XC	XD	XF
2	2.471	10.826	8.976	11.248

FLANGE					
AJ	AK	BB	BD	BF	BC
11	12.5	0.25	13.78	5/8-11	0.25



# PERFORMANCE CURVES

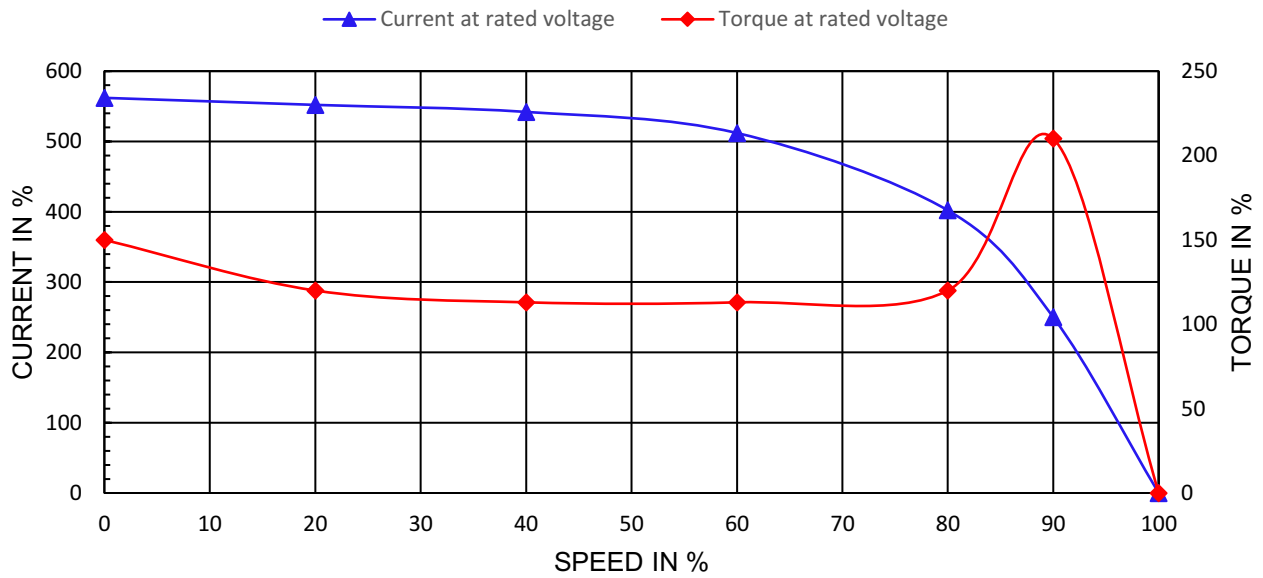
Premium Efficiency Motor: **PEWWE30-12-326TC**

Document Generated: 14-Oct-2024  
 Document ID:

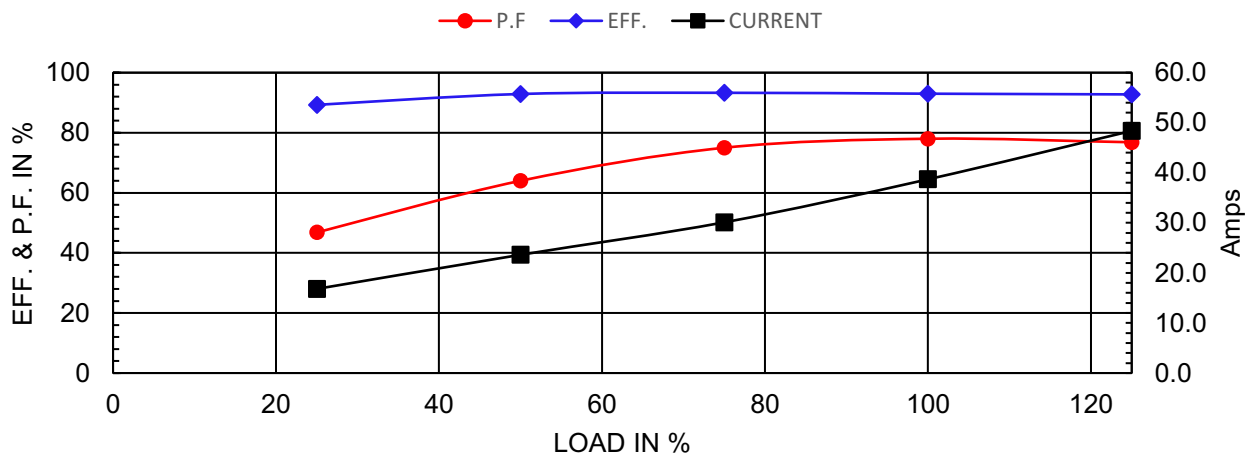
Customer:

Motor Type	PEWWE		FL Speed	1185	
Output Rating (HP)	30		LRT (%FLT)	150	460 volt FLA 38.7
Full Load Torque	133 lb.ft		BDT (%FLT)	210	230 volt FLA 77.4
Rotor Wk^2	8.45 lb-ft^2				

SPEED VS TORQUE & CURRENT CURVE



OUTPUT VS EFF., P.F. & CURRENT CURVE





# NAMEPLATE / WIRING

Premium Efficiency Motor: **PEWWE30-12-326TC**

Document Generated: 14-Oct-2024  
 Document ID:

Customer:

## SAMPLE NAMEPLATE DATA

		<b>3-PHASE INDUCTION MOTOR</b>		259277			
Model	<input type="text"/>	Ser No.	<input type="text"/>	Low Voltage		50Hz	
HP	<input type="text"/>	S.F.	<input type="text"/>	Rating	<input type="text"/>	1.0SF	
Frame	<input type="text"/>	P.F.	<input type="text"/>	IP	<input type="text"/>	HP	
Voltage	230/460	Hz	<input type="text"/>	Code	<input type="text"/>	%	
Amps	<input type="text"/>	RPM	<input type="text"/>	Ins Cl	<input type="text"/>	V	
Nom.Eff.	FL	% 3/4	%	10:1 CT	20:1 VT	A	
Class I DIV. 2 Groups A B C D		Amb.40°C		Date		rpm	
Class I Zone 2 IIC		Amb.55°C					
Grease type: LGHP 2 (compatible with polyrex)		DE Brng		ODE Brng			
<b>WorldWide Electric Corporation</b>							

Model	<input type="text" value="PEWWE30-12-326TC"/>						
HP	<input type="text" value="30"/>	S.F.	<input type="text" value="1.25"/>	IP	<input type="text" value="IP55"/>	Encl	<input type="text" value="TEFC"/>
Frame	<input type="text" value="326TC"/>	P.F.	<input type="text" value="0.78"/>	Code	<input type="text" value="G"/>	Type	
Voltage	<input type="text" value="230/460 V"/>	Hz	<input type="text" value="60 Hz"/>	Ins Cl	<input type="text" value="F"/>	Ambient <input type="text" value="40°C"/>	
Amps	<input type="text" value="77.4/38.7"/>	RPM	<input type="text" value="1185"/>	Design	<input type="text" value="B"/>	DE Brng	<input type="text" value="6312 C3"/>
Nom.Eff.	<input type="text" value="FL 93.0% 3/4 93.3%"/>				ODE Brng	<input type="text" value="6311 C3"/>	
Class 1 Division 2 Groups A,B,C,D					T3C(160°C)		Grease type: SKF LGHP 2
50Hz							
<input type="text" value="30 HP"/>		<input type="text" value="200/400 V"/>		<input type="text" value="91.1/45.A"/>		<input type="text" value="985 rpm"/>	
<input type="text" value="Eff. 90.9%"/>							