



# DATA SHEET

Premium Efficiency Motor: **PEWWE30-18-286TC**

**60 Hz**

Document Generated: 14-Oct-2024  
Document ID:

Customer:

MOTOR INFORMATION	
HP	30
RPM	1800
Phase	3
Frequency	60Hz
Voltage	230/460 V
Frame Size	286TC
Enclosure	TEFC
Degree of Protection	IP55
Service Factor	1.25
Poles	4
Full Load Speed	1770
Insulation Class	F
Temp Rise	80°C
NEMA Code Letter	G
Duty Cycle	S1 / Continuous
Slip	1.67%
NEMA Design	B
Moment of Inertia	3.38 lb.ft.^2
Locked Rotor Time (Hot)	12 seconds
Sound Pressure Level	70 dB(A)
Number of Starts	2 Cold/ 1 Hot
Max Ambient Temperature	40°C
Max Elevation	1000 m.a.s.l (3300 f.a.s.l)
Mounting	F1
Rotation	Bi-Directional
Area of Classification	Class 1 Division 2 Groups A,B,C,D T3C(160°C)
Inverter Rating	10:1 CT / 20:1 VT PWM Type
Standard	NEMA MG-1
Approvals	CSA-US, CE

EFFICIENCY/POWER FACTOR		
LOAD	EFF	P. F.
100%	93.6	
%	0.859759%	0.8
50%	2	
	93.4 %	0.72

TORQUE		
FULL LOAD	LRT	BD
89 lb.ft.	160 %	240 %

AMPERAGE INFORMATION		
	230V	460V
Full Load Amps	70.6A	35.3A
Locked Rotor Amps	435A	217.5A
No Load Current	26A	13A
	Usable at 208V	78.1A

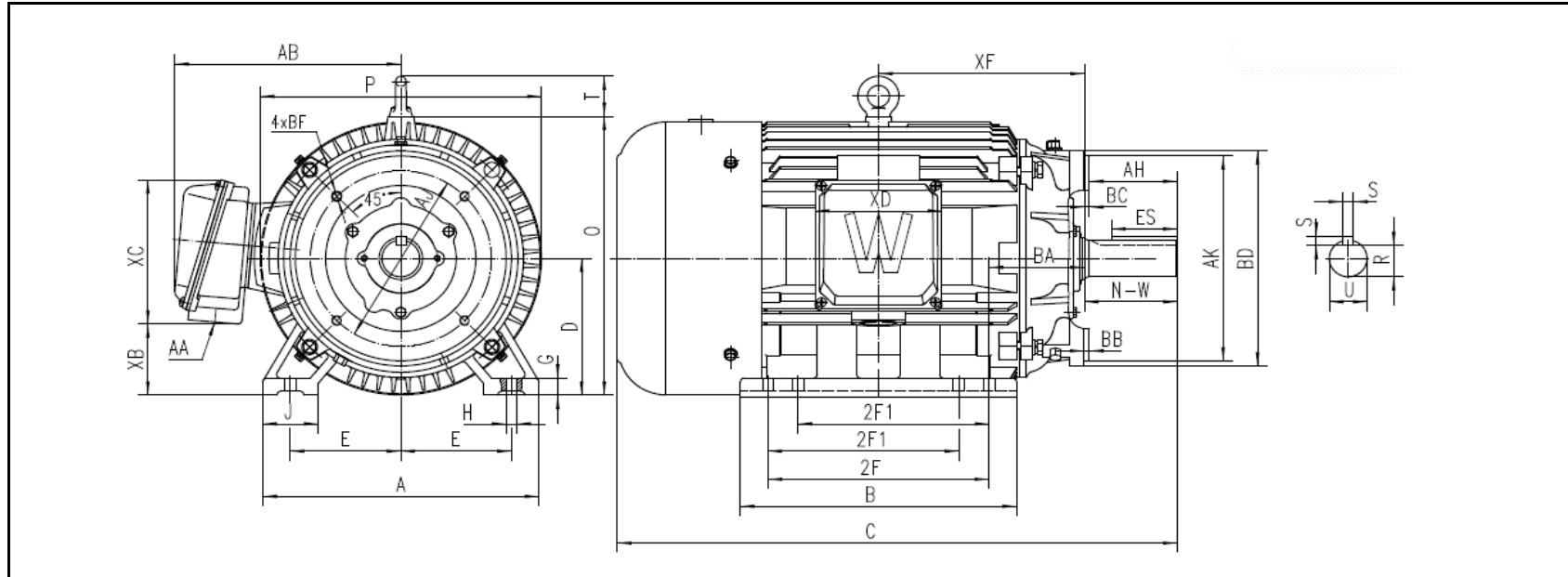
BEARING INFORMATION	
DE Bearing	6311 C3
ODE Bearing Grease Ty	6309 C3
pe DE Regreasing	SKF LGHP 2
Interval	4000 Hours
ODE Regreasing Interval	5000 Hours

ADDITIONAL DATA	
F2 Suitable	Yes
Shaft Material	1045 Carbon Steel
Connection Diagram	230 / 460 V - 12 Lead
Approximate Weight	Δ 405 lbs.



# MOTOR DRAWING

Premium Efficiency Motor: **PEWWE30-18-286TC**



## DIMENSION - INCHES

MOUNTING					A	B	C	D	G	J	P	O	T	AB
E	2F1	2F	H	BA										
5.5	9.5	11	0.53	4.75	13.74	13.74	27.858	7	0.866	2.756	13.976	14.283	2.047	11.239

SHAFT & KEY					
S	ES	R	N-W	AH	U
0.5	3.28	1.591	4.62	4.38	1.875

TERMINAL BOX				
AA	XB	XC	XD	XF
1.5	3.645	7.381	6.299	10.248

FLANGE					
AJ	AK	BB	BD	BF	BC
9	10.5	0.25	11.024	1/2-13	0.25



# PERFORMANCE CURVES

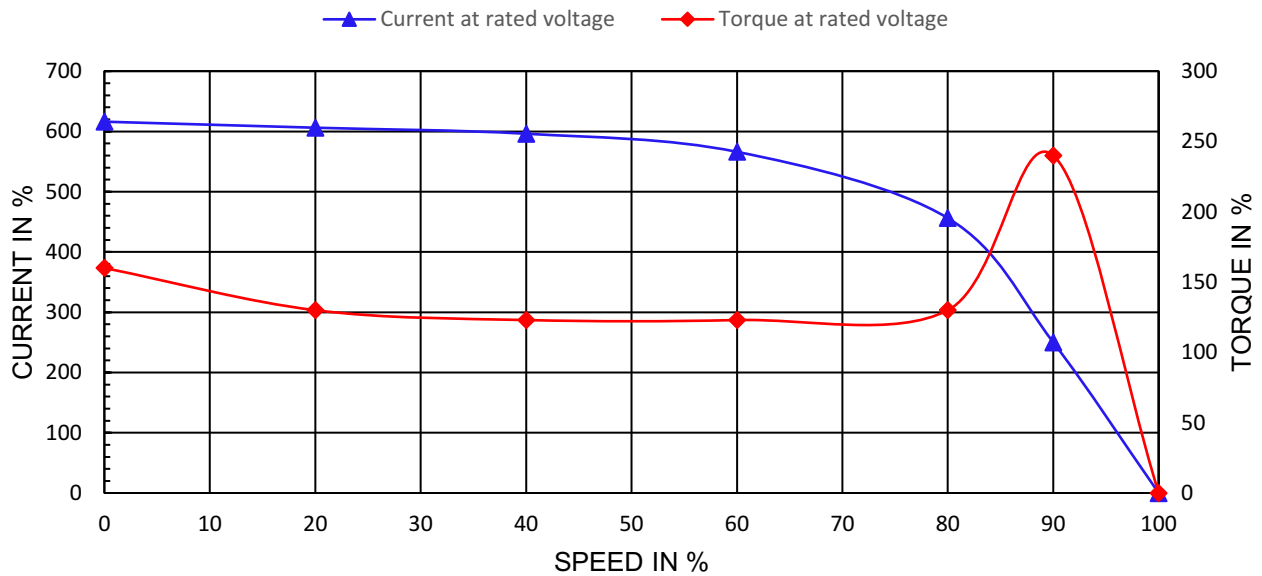
Premium Efficiency Motor: **PEWWE30-18-286TC**

Document Generated: 14-Oct-2024  
Document ID:

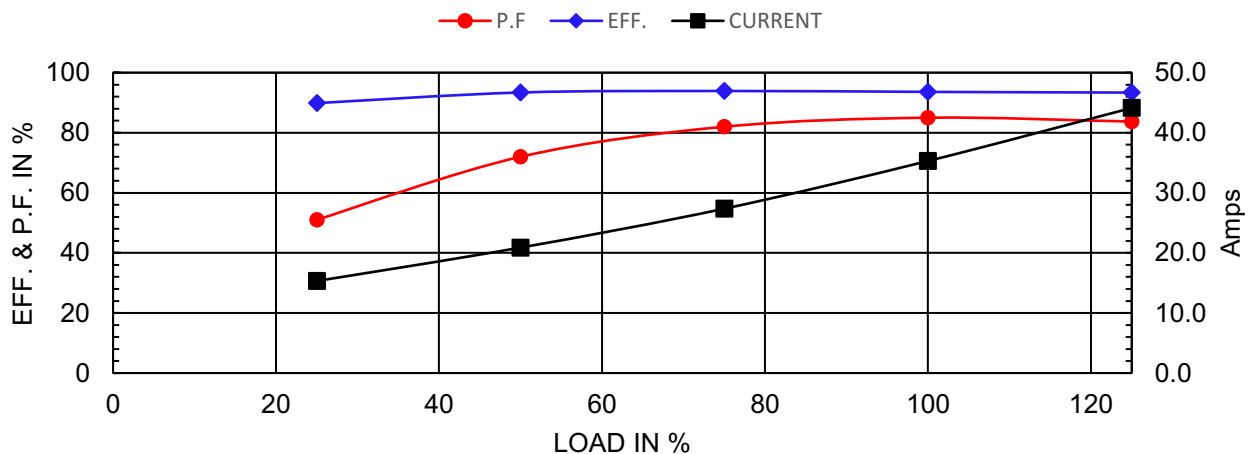
Customer:

Motor Type	PEWWE		FL Speed	1770	
Output Rating (HP)	30		LRT (%FLT)	160	460 volt FLA 35.3
Full Load Torque	89	lb.ft	BDT (%FLT)	240	230 volt FLA 70.6
Rotor Wk^2	3.38	lb-ft^2			

### SPEED VS TORQUE & CURRENT CURVE



### OUTPUT VS EFF., P.F. & CURRENT CURVE





# NAMEPLATE / WIRING

Premium Efficiency Motor: **PEWWE30-18-286TC**

Document Generated: 14-Oct-2024  
 Document ID:

Customer:

## SAMPLE NAMEPLATE DATA

		<b>3-PHASE INDUCTION MOTOR</b>		259277			CC006A	
Model	<input type="text"/>	Ser No.	<input type="text"/>	Low Voltage				50Hz
HP	<input type="text"/>	S.F.	<input type="text"/>	Rating	<input type="text"/>	°C Amb Cont		1.0SF
Frame	<input type="text"/>	P.F.	<input type="text"/>	IP	<input type="text"/>	Encl	<input type="text"/>	HP
Voltage	230/460	Hz	<input type="text"/>	Code	<input type="text"/>	Type	<input type="text"/>	%
Amps	<input type="text"/>	RPM	<input type="text"/>	Ins Cl	<input type="text"/>	Design	<input type="text"/>	V
Nom.Eff.	FL	% 3/4	<input type="text"/>	10:1 CT	20:1 VT	PWM VFD	1.0SF	A
Class I DIV. 2 Groups A B C D		Amb.40°C	T3C(160°C)					rpm
Class I Zone 2 IIC		Amb.55°C	T3A(180°C)	Date				
Grease type: LGHP 2 (compatible with polyrex)		DE Brng ODE Brng						
<b>WorldWide Electric Corporation</b>								

Model	<input type="text" value="PEWWE30-18-286TC"/>							
HP	<input type="text" value="30"/>	S.F.	<input type="text" value="1.25"/>	IP	<input type="text" value="IP55"/>	Encl	<input type="text" value="TEFC"/>	
Frame	<input type="text" value="286TC"/>	P.F.	<input type="text" value="0.85"/>	Code	<input type="text" value="G"/>	Type		
Voltage	<input type="text" value="230/460 V"/>	Hz	<input type="text" value="60Hz"/>	Ins Cl	<input type="text" value="F"/>	Ambient	<input type="text" value="40°C"/>	
Amps	<input type="text" value="70.6/35.3"/>	RPM	<input type="text" value="1770"/>	Design	<input type="text" value="B"/>	DE Brng	<input type="text" value="6311 C3"/>	
Nom.Eff.	<input type="text" value="FL"/>	<input type="text" value="93.6%"/>	<input type="text" value="3/4"/>	<input type="text" value="93.9%"/>	ODE Brng			<input type="text" value="6309 C3"/>
Class 1 Division 2 Groups A,B,C,D				T3C(160°C)		Grease type: SKF LGHP 2		
50Hz								
30 HP		200/400 V		83/41.5 A		1465 rpm		
<input type="text" value="Eff. 91.6%"/>								