



DATA SHEET

Premium Efficiency Motor: **PEWWE40-12-364TC**

60 Hz

Document Generated: 14-Oct-2024
Document ID:

Customer:

MOTOR INFORMATION

HP	40
RPM	1200
Phase	3
Frequency	60 Hz
Voltage	230/460 V
Frame Size	364TC
Enclosure	TEFC
Degree of Protection	IP55
Service Factor	1.25
Poles	6
Full Load Speed	1185
Insulation Class	F
Temp Rise	80°C
NEMA Code Letter	G
Duty Cycle	S1 / Continuous
Slip	1.25%
NEMA Design	B
Moment of Inertia	21 lb.ft.^2
Locked Rotor Time (Hot)	13 seconds
Sound Pressure Level	70 dB(A)
Number of Starts	2 Cold/ 1 Hot
Max Ambient Temperature	40°C
Max Elevation	1000 m.a.s.l (3300 f.a.s.l)
Mounting	F1
Rotation	Bi-Directional
Area of Classification	Class 1 Division 2 Groups A,B,C,D T3A(180°C)
Inverter Rating	10:1 CT / 20:1 VT PWM Type
Standard	NEMA MG-1
Approvals	CSA-US, CE

EFFICIENCY/POWER FACTOR

LOAD	EFF	P. F.
100%	94.1 %	0.81
75%	94.2 %	0.7
50%	5	
93.2 %		0.64

TORQUE

FULL LOAD	LRT	BD
177 lb.ft.	215 %	260 %

AMPERAGE INFORMATION

	230V	460V
Full Load Amps	98A	49.1A
Locked Rotor Amps	580A	290A
No Load Current	45A	22.5
Usable at 208V	109A	

BEARING INFORMATION

DE Bearing	6313 C3
ODE Bearing Grease Ty	6312 C3
pe DE Regreasing	SKF LGHP 2
Interval	4500 Hours
ODE Regreasing Interval	6000 Hours

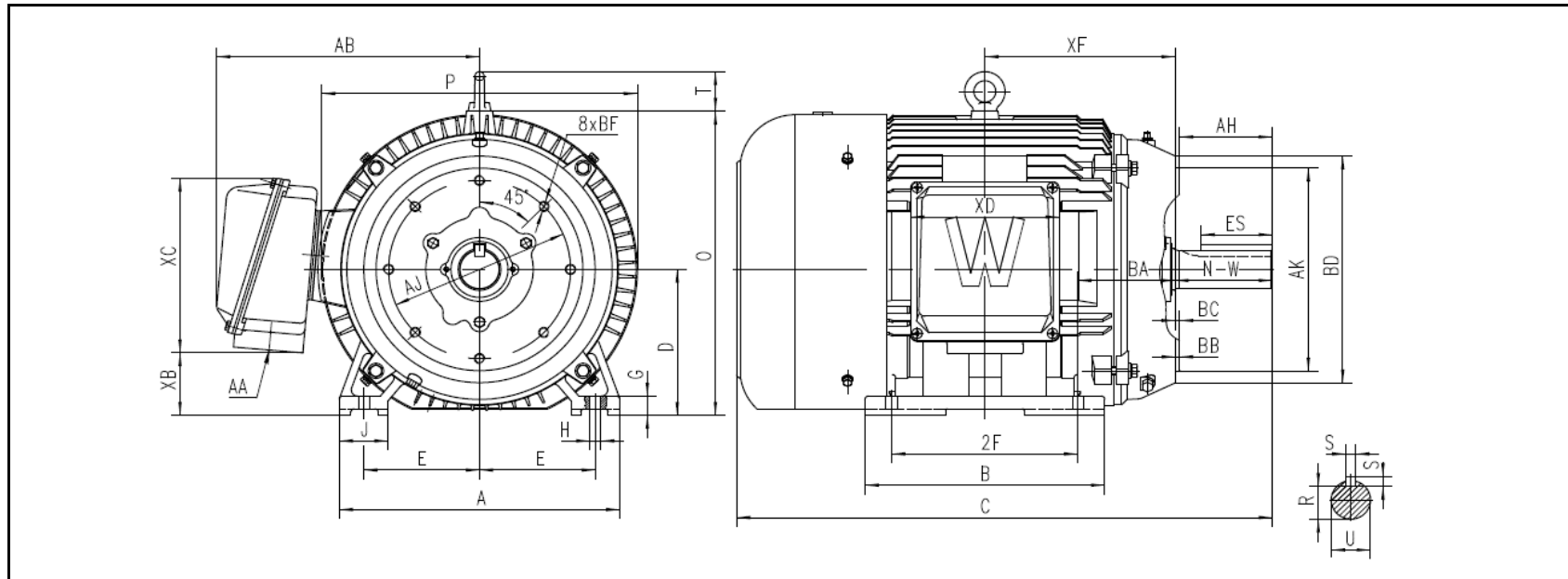
ADDITIONAL DATA

F2 Suitable	Yes
Shaft Material	1045 Carbon Steel
Connection Diagram	230 / 460 V - 12 Lead
Approximate Weight	Δ 780 lbs.



MOTOR DRAWING

Premium Efficiency Motor: **PEWWE40-12-364TC**



DIMENSION - INCHES

MOUNTING					A	B	C	D	G	J	P	O	T	AB
E	2F1	2F	H	BA										
7	--	11.25	0.66	5.88	16.969	14.488	32.376	9	1.181	2.953	19.091	18.8	2.441	15.899

SHAFT & KEY					
S	ES	R	N-W	AH	U
0.625	4.28	2.021	5.88	5.62	2.375

TERMINAL BOX				
AA	XB	XC	XD	XF
3	3.849	10.783	8.976	11.496

FLANGE					
AJ	AK	BB	BD	BF	BC
11	12.5	0.25	13.989	5/8-11	0.25



PERFORMANCE CURVES

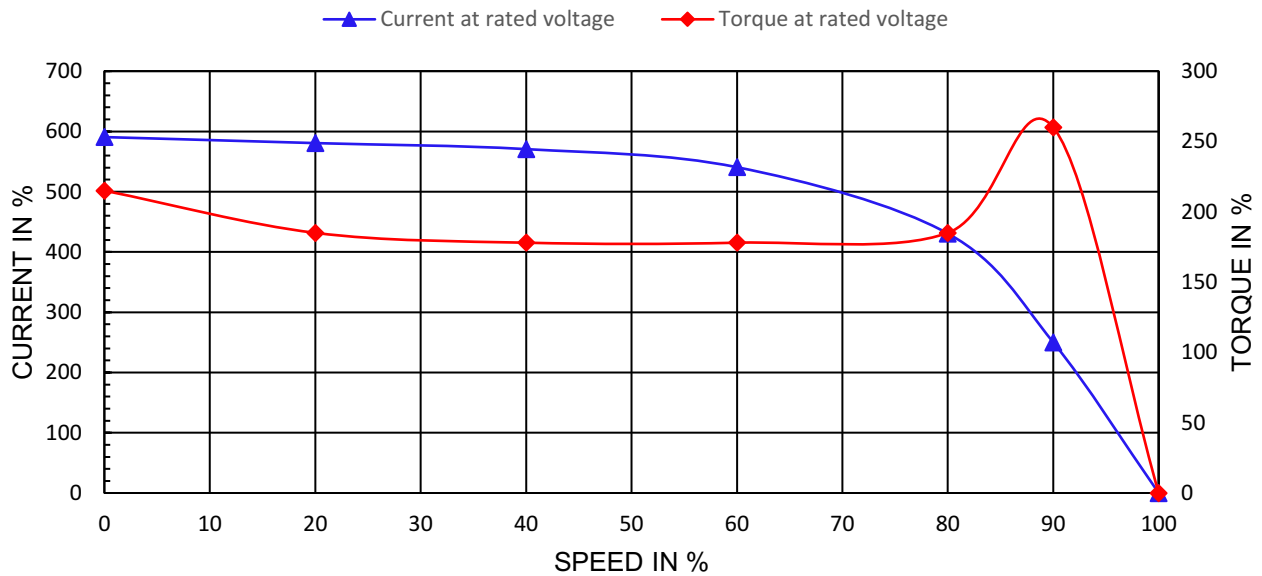
Premium Efficiency Motor: **PEWWE40-12-364TC**

Document Generated: 14-Oct-2024
Document ID:

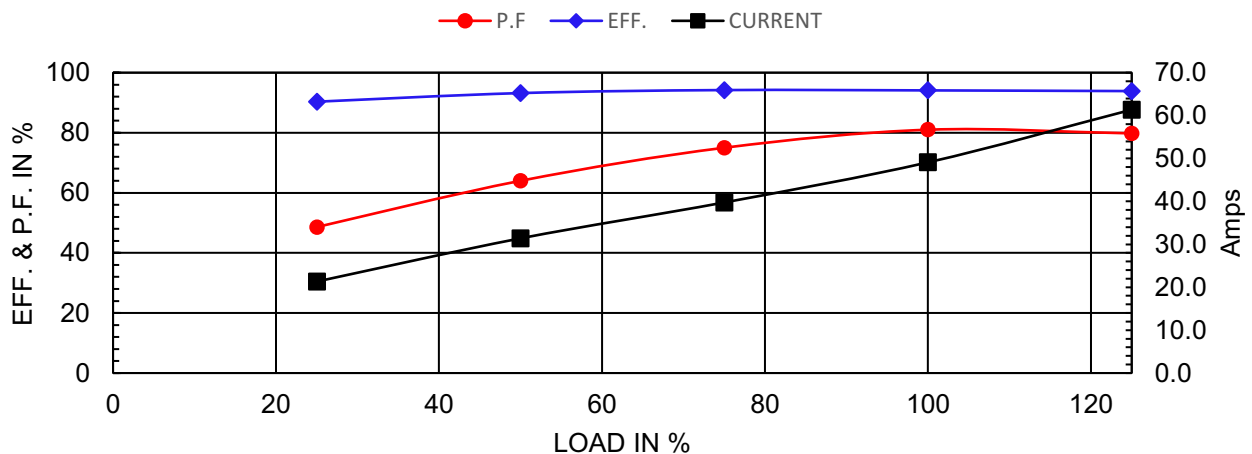
Customer:

Motor Type	PEWWE			FL Speed	1185		
Output Rating (HP)	40			LRT (%FLT)	215	460 volt FLA	49.1
Full Load Torque	177	lb.ft		BDT (%FLT)	260	230 volt FLA	98
Rotor Wk^2	21	lb-ft^2					

SPEED VS TORQUE & CURRENT CURVE



OUTPUT VS EFF., P.F. & CURRENT CURVE





NAMEPLATE / WIRING

Premium Efficiency Motor: **PEWWE40-12-364TC**

Document Generated: 14-Oct-2024
 Document ID:

Customer:

SAMPLE NAMEPLATE DATA

		3-PHASE INDUCTION MOTOR		259277 		50Hz 1.0SF HP % V A rpm
Model		Ser No.		Low Voltage ⑥ ④ ⑤ ⑦ ⑧ ⑨ ⑫ ⑩ ⑪ ① ② ③ L1 L2 L3		
HP		S.F.		Rating	°C Amb Cont	
Frame		P.F.		IP	Encl	
Voltage	230/460	Hz		Code	Type	
Amps		RPM		Ins Cl	Design	
Nom.Eff.	FL	% 3/4	%	10:1 CT 20:1 VT PWM VFD	1.0SF	
Class I DIV. 2 Groups A B C D		Amb.40°C				
Class I Zone 2 IIC		Amb.55°C		Date		
Grease type: LGHP 2 (compatible with polyrex)		DE Brng ODE Brng				
WorldWide Electric Corporation						

Model	PEWWE40-12-364TC						
HP	40	S.F.	1.25	IP	IP55	Encl	TEFC
Frame	364TC	P.F.	0.81	Code	G	Type	
Voltage	230/460 V	Hz	60 Hz	Ins Cl	F	Ambient	40°C
Amps	98/49.1	RPM	1185	Design	B	DE Brng	6313 C3
Nom.Eff.	FL	94.1%	3/4	94.2%		ODE Brng	6312 C3
Class 1 Division 2 Groups A,B,C,D						T3A(180°C)	
						Grease type: SKF LGHP 2	
50Hz							
40 HP		200/400 V		116/58 A		985 rpm	
Eff. 91.7%							