



DATA SHEET

Premium Efficiency Motor: **PEWWE5-12-215TC**

60 Hz

Document Generated: 14-Oct-2024
Document ID:

Customer:

MOTOR INFORMATION	
HP	5
RPM	1200
Phase	3
Frequency	60 Hz
Voltage	230/460 V
Frame Size	215TC
Enclosure	TEFC
Degree of Protection	IP55
Service Factor	1.25
Poles	6
Full Load Speed	1175
Insulation Class	F
Temp Rise	80°C
NEMA Code Letter	J
Duty Cycle	S1 / Continuous
Slip	2.08%
NEMA Design	B
Moment of Inertia	0.799 lb.ft.^2
Locked Rotor Time (Hot)	15 seconds
Sound Pressure Level	64 dB(A)
Number of Starts	2 Cold/ 1 Hot
Max Ambient Temperature	40°C
Max Elevation	1000 m.a.s.l (3300 f.a.s.l)
Mounting	F1
Rotation	Bi-Directional
Area of Classification	Class 1 Division 2 Groups A,B,C,D T3C(160°C)
Inverter Rating	10:1 CT / 20:1 VT PWM Type
Standard	NEMA MG-1
Approvals	CSA-US, CE

EFFICIENCY/POWER FACTOR		
LOAD	EFF	P. F.
100%	89.5 %	0.72
75%	89.6 %	0.67
50%	89.3 %	0.55

TORQUE		
FULL LOAD	LRT	BDT
22.3 lb.ft.	155 %	250 %

AMPERAGE INFORMATION		
	230V	460V
Full Load Amps	14.5A	7.27A
Locked Rotor Amps	92A	46A
No Load Current	7.6A	3.8A
Usable at 208V	16.1A	

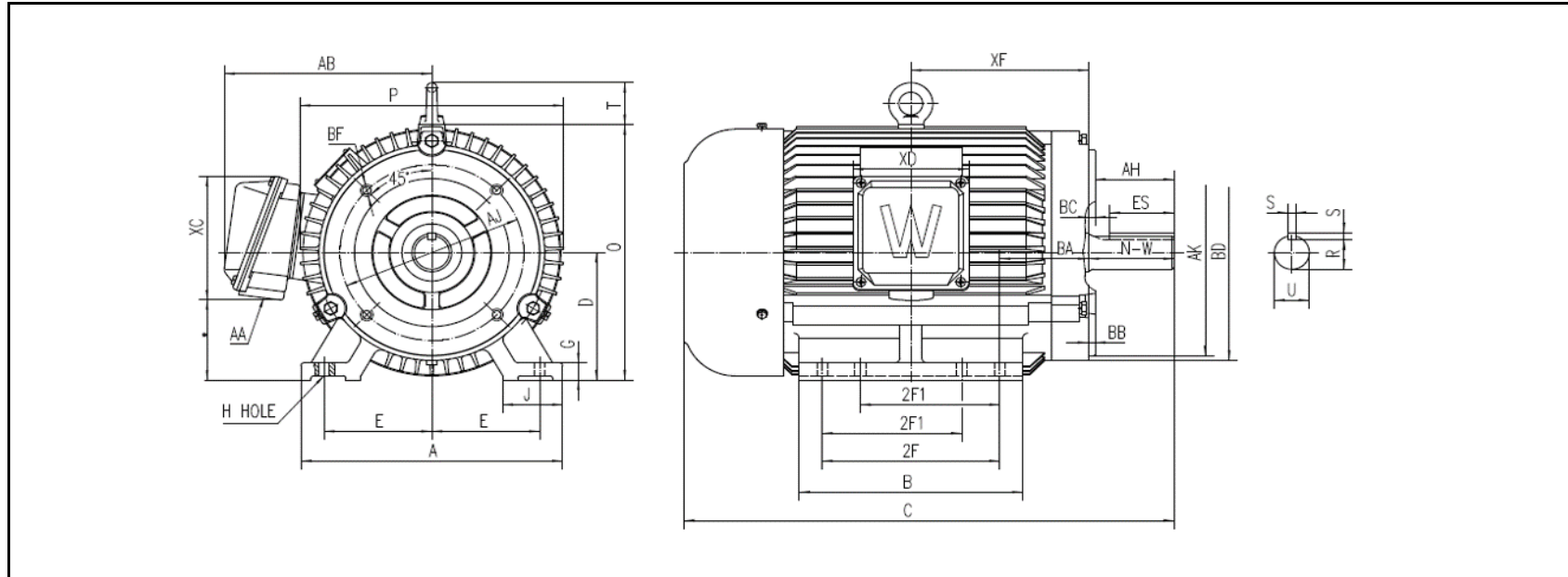
BEARING INFORMATION	
DE Bearing	6308ZZ C3
ODE Bearing Grease Ty	6207ZZ
pe DE Regreasing	C3
Interval	--
ODE Regreasing Interval	- Hours
	- Hours

ADDITIONAL DATA	
F2 Suitable	Yes
Shaft Material	1045 Carbon Steel
Connection Diagram	230 / 460 V - 9 Lead Y
Approximate Weight	179 lbs.



MOTOR DRAWING

Premium Efficiency Motor: **PEWWE5-12-215TC**



DIMENSION - INCHES

MOUNTING					A	B	C	D	G	J	P	O	T	AB
E	2F1	2F	H	BA										
4.25	5.5	7	0.41	3.5	10.315	8.819	19.319	5.25	0.709	2.362	10.389	10.526	1.732	8.178

SHAFT & KEY					
S	ES	R	N-W	AH	U
0.312	2.41	1.201	3.38	3.12	1.375

TERMINAL BOX				
AA	XB	XC	XD	XF
1	3.296	5.098	4.567	7.002

FLANGE					
AJ	AK	BB	BD	BF	BC
7.25	8.5	0.25	8.898	1/2-13	0.25



PERFORMANCE CURVES

Premium Efficiency Motor:

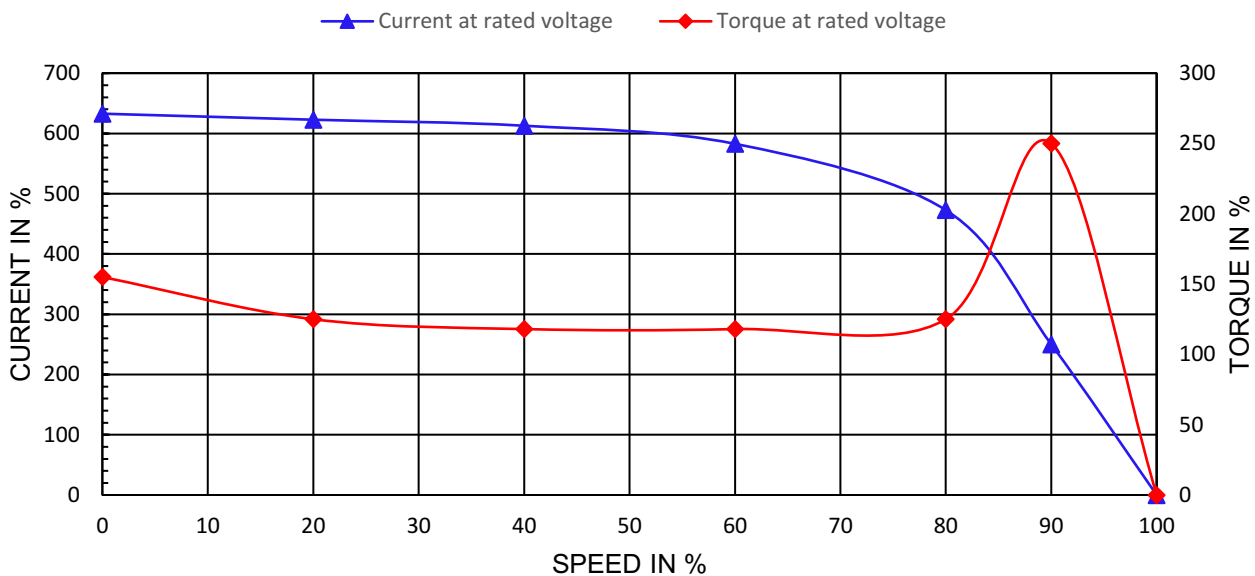
PEWWE5-12-215TC

Document Generated: 14-Oct-2024
Document ID:

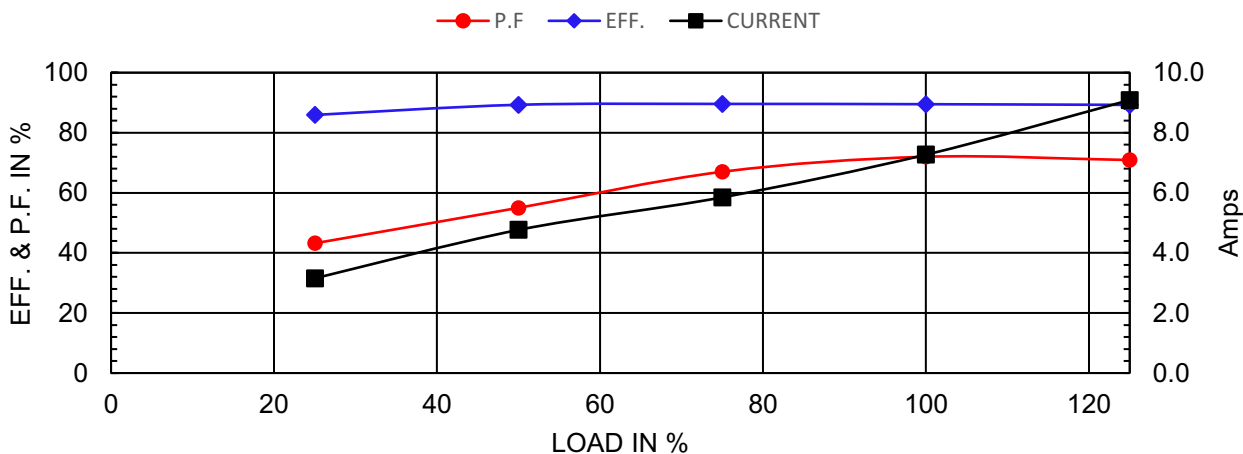
Customer:

Motor Type	PEWWE			FL Speed	1175		
Output Rating (HP)	5			LRT (%FLT)	155	460 volt FLA	7.27
Full Load Torque	22.3	lb.ft		BDT (%FLT)	250	230 volt FLA	14.5
Rotor Wk^2	0.799	lb-ft^2					

SPEED VS TORQUE & CURRENT CURVE



OUTPUT VS EFF., P.F. & CURRENT CURVE





NAMEPLATE / WIRING

Premium Efficiency Motor: **PEWWE5-12-215TC**

Document Generated: 14-Oct-2024
 Document ID:

Customer:

SAMPLE NAMEPLATE DATA

		3-PHASE INDUCTION MOTOR		259277			
Model		Ser No.		Low Voltage		50Hz	
HP		S.F.		Rating	°C Amb Cont	1.0SF	
Frame		P.F.		IP	Encl	HP	
Voltage	230/460	Hz		Code	Type	%	
Amps		RPM		Ins Cl	Design	V	
Nom. Eff.	FL	% 3/4	%	10:1 CT 20:1 VT PWM VFD		A	
Class I DIV. 2 Groups A B C D		Amb.40°C	T3C(160°C)	Date		rpm	
Class I Zone 2 IIC		Amb.55°C	T3A(180°C)				
Grease type:		DE Brng					
		ODE Brng					
WorldWide Electric Corporation							

Model	PEWWE5-12-215TC						
HP	5	S.F.	1.25	IP	IP55	Encl	TEFC
Frame	215TC	P.F.	0.72	Code	J	Type	
Voltage	230/460 V	Hz	60 Hz	Ins Cl	F	Ambient 40°C	
Amps	14.5/7.27	RPM	1175	Design	B	DE Brng	6308ZZ C3
Nom. Eff.	FL	89.5%	3/4	89.6%	ODE Brng 6207ZZ C3		
Class 1 Division 2 Groups A,B,C,D					T3C(160°C)	Grease type: --	
50Hz							
5 HP		200/400 V		17.7/8.8A		970 rpm	
Eff. 84.6%							