



DATA SHEET

Premium Efficiency Motor: **PEWWE5-18-184TC**

60 Hz

Document Generated: 14-Oct-2024
 Document ID:

Customer:

MOTOR INFORMATION	
HP	5
RPM	1800
Phase	3
Frequency	60 Hz
Voltage	230/460 V
Frame Size	184TC
Enclosure	TEFC
Degree of Protection	IP55
Service Factor	1.25
Poles	4
Full Load Speed	1755
Insulation Class	F
Temp Rise	80°C
NEMA Code Letter	J
Duty Cycle	S1 / Continuous
Slip	2.50%
NEMA Design	B
Moment of Inertia	0.313 lb.ft.^2
Locked Rotor Time (Hot)	16 seconds
Sound Pressure Level	63 dB(A)
Number of Starts	2 Cold/ 1 Hot
Max Ambient Temperature	40°C
Max Elevation	1000 m.a.s.l (3300 f.a.s.l)
Mounting	F1
Rotation	Bi-Directional
Area of Classification	Class 1 Division 2 Groups A,B,C,D T3C(160°C)
Inverter Rating	10:1 CT / 20:1 VT PWM Type
Standard	NEMA MG-1
Approvals	CSA-US, CE

EFFICIENCY/POWER FACTOR		
LOAD	EFF	P. F.
100%	89.5	
%	0.839	0.77
50%	89.2 %	0.66

TORQUE		
FULL LOAD	LRT	BD
45 lb.ft.	200 %	280 %

AMPERAGE INFORMATION		
	230V	460V
Full Load Amps	12.6A	6.3A
Locked Rotor Amps	92A	46A
No Load Current	5.7A	2.85
Usable at 208V A	13.9A	

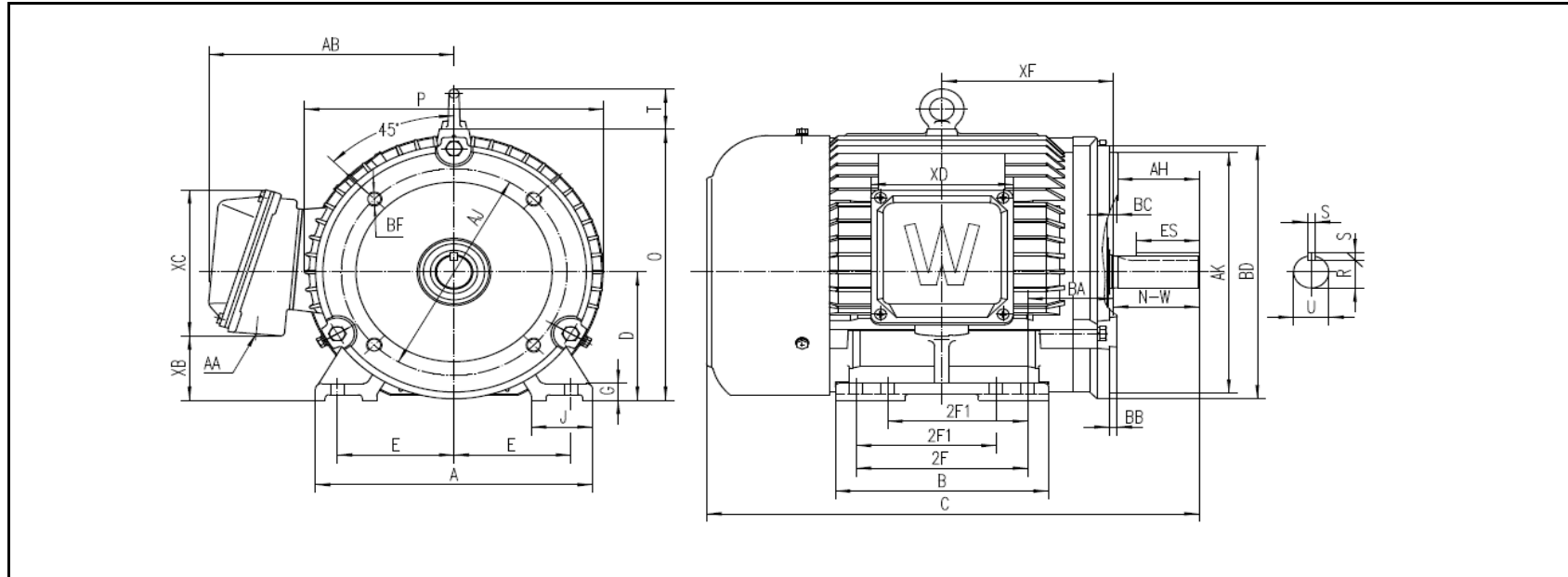
BEARING INFORMATION	
DE Bearing	6206ZZ
ODE Bearing Grease Ty	C3
pe DE Regreasing	6206ZZ
Interval	C3
ODE Regreasing Interval	--
	- Hours
	- Hours

ADDITIONAL DATA	
F2 Suitable	No
Shaft Material	1045 Carbon Steel
Connection Diagram	230 / 460 V - 9 Lead Y
Approximate Weight	102 lbs.



MOTOR DRAWING

Premium Efficiency Motor: **PEWWE5-18-184TC**



DIMENSION - INCHES

MOUNTING					A	B	C	D	G	J	P	O	T	AB
E	2F1	2F	H	BA										
3.75	4.5	5.5	0.41	2.75	8.898	6.852	15.827	4.5	0.591	1.969	9.606	9.5	1.417	7.876

SHAFT & KEY					
S	ES	R	N-W	AH	U
0.25	1.78	0.986	2.75	2.62	1.125

TERMINAL BOX				
AA	XB	XC	XD	XF
1	2.26	5.124	4.567	5.509

FLANGE					
AJ	AK	BB	BD	BF	BC
7.25	8.5	0.25	8.86	1/2-13	0.12



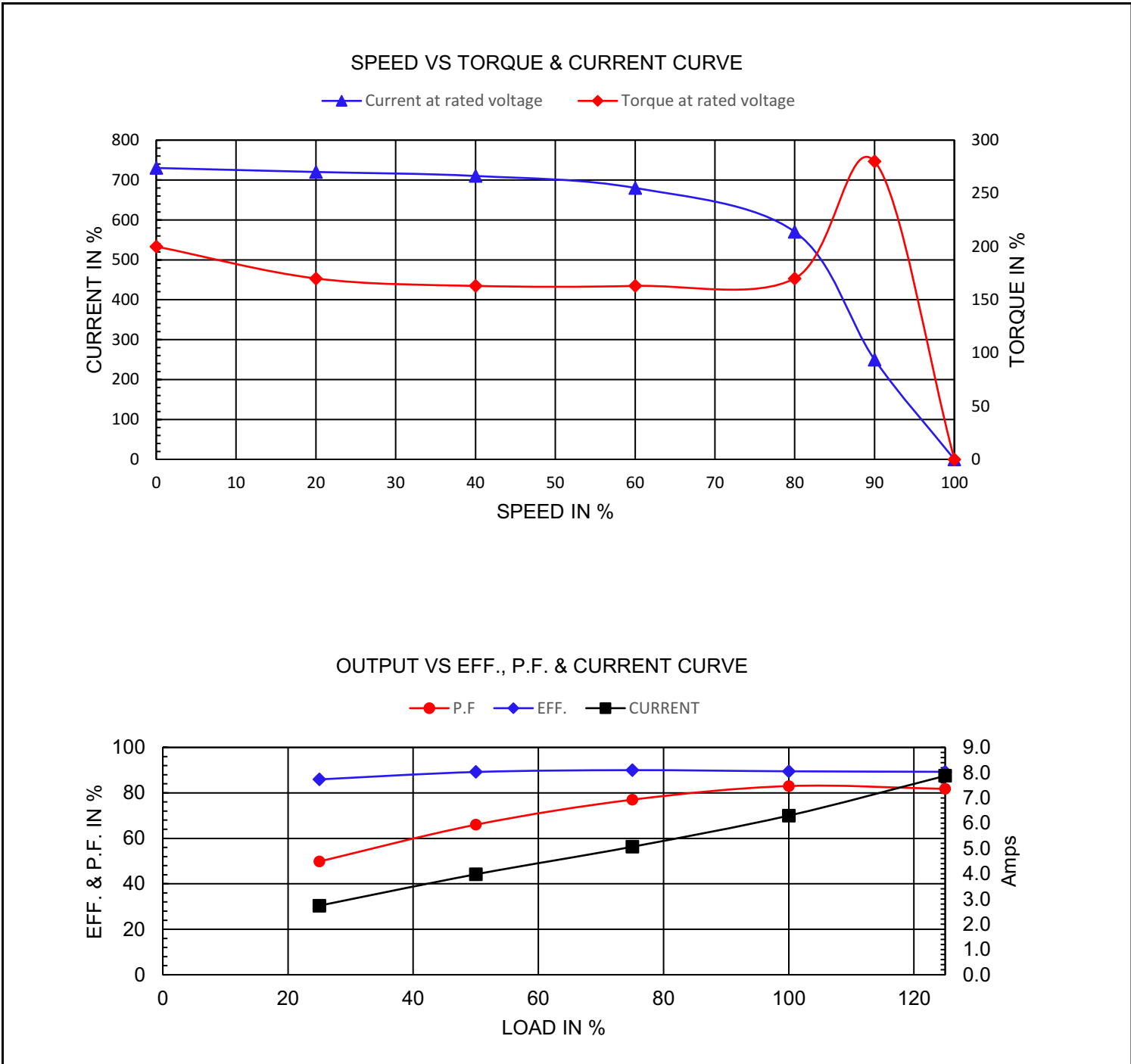
PERFORMANCE CURVES

Premium Efficiency Motor: **PEWWE5-18-184TC**

Document Generated: 14-Oct-2024
 Document ID:

Customer:

Motor Type	PEWWE		FL Speed	1755	
Output Rating (HP)	5		LRT (%FLT)	200	460 volt FLA 6.3
Full Load Torque	15	lb.ft	BDT (%FLT)	280	230 volt FLA 12.6
Rotor Wk^2	0.313	lb-ft^2			





NAMEPLATE / WIRING

Premium Efficiency Motor: **PEWWE5-18-184TC**

Document Generated: 14-Oct-2024
 Document ID:

Customer:

SAMPLE NAMEPLATE DATA

		3-PHASE INDUCTION MOTOR		259277				
Model		Ser No.		Low Voltage				50Hz
HP		S.F.		Rating	°C Amb Cont			
Frame		P.F.		IP	Encl			
Voltage	230/460	Hz		Code	Type			
Amps		RPM		Ins Cl	Design			
Nom. Eff.	FL	% 3/4	%	10:1 CT	20:1 VT	PWM VFD	1.0SF	
Class I DIV. 2 Groups A B C D		Amb.40°C		T3C(160°C)				
Class I Zone 2 IIC		Amb.55°C		T3A(180°C)		Date		
Grease type:		DE Brng						
		ODE Brng						
WorldWide Electric Corporation								

Model	PEWWE5-18-184TC						
HP	5	S.F.	1.25	IP	IP55	Encl	TEFC
Frame	184TC	P.F.	0.83	Code	J	Type	
Voltage	230/460 V	Hz	60 Hz	Ins Cl	F	Ambient	40°C
Amps	12.6/6.3	RPM	1755	Design	B	DE Brng	6206ZZ C3
Nom. Eff.	FL	89.5%	3/4	90.0%		ODE Brng	6206ZZ
Class 1 Division 2 Groups A,B,C,D				T3C(160°C)		Grease type: --	
50Hz							
5 HP		200/400 V		15/7.49 A		1450 rpm	
Eff. 86.6%							