



DATA SHEET

Premium Efficiency Motor: **PEWWE60-12-404TC**

60 Hz

Document Generated: 14-Oct-2024
 Document ID:

Customer:

MOTOR INFORMATION	
HP	60
RPM	1200
Phase	3
Frequency	60 Hz
Voltage	230/460 V
Frame Size	404TC
Enclosure	TEFC
Degree of Protection	IP55
Service Factor	1.25
Poles	6
Full Load Speed	1190
Insulation Class	F
Temp Rise	80°C
NEMA Code Letter	G
Duty Cycle	S1 / Continuous
Slip	0.83%
NEMA Design	B
Moment of Inertia	30.6 lb.ft.^2
Locked Rotor Time (Hot)	13 seconds
Sound Pressure Level	73 dB(A)
Number of Starts	2 Cold/ 1 Hot
Max Ambient Temperature	40°C
Max Elevation	1000 m.a.s.l (3300 f.a.s.l)
Mounting	F1
Rotation	Bi-Directional
Area of Classification	Class 1 Division 2 Groups A,B,C,D T3A(180°C)
Inverter Rating	10:1 CT / 20:1 VT PWM Type
Standard	NEMA MG-1
Approvals	CSA-US, CE

EFFICIENCY/POWER FACTOR		
LOAD	EFF	P. F.
100%	94.5	
%	0.839758%	0.80
50%	94.5 %	0.71

TORQUE		
FULL LOAD	LRT	BD
265 lb.ft.	170 %	240 %

AMPERAGE INFORMATION		
	230V	460V
Full Load Amps	143A	71.6A
Locked Rotor Amps	870A	435A
No Load Current	53A	26.5A
Usable at 208V	158A	

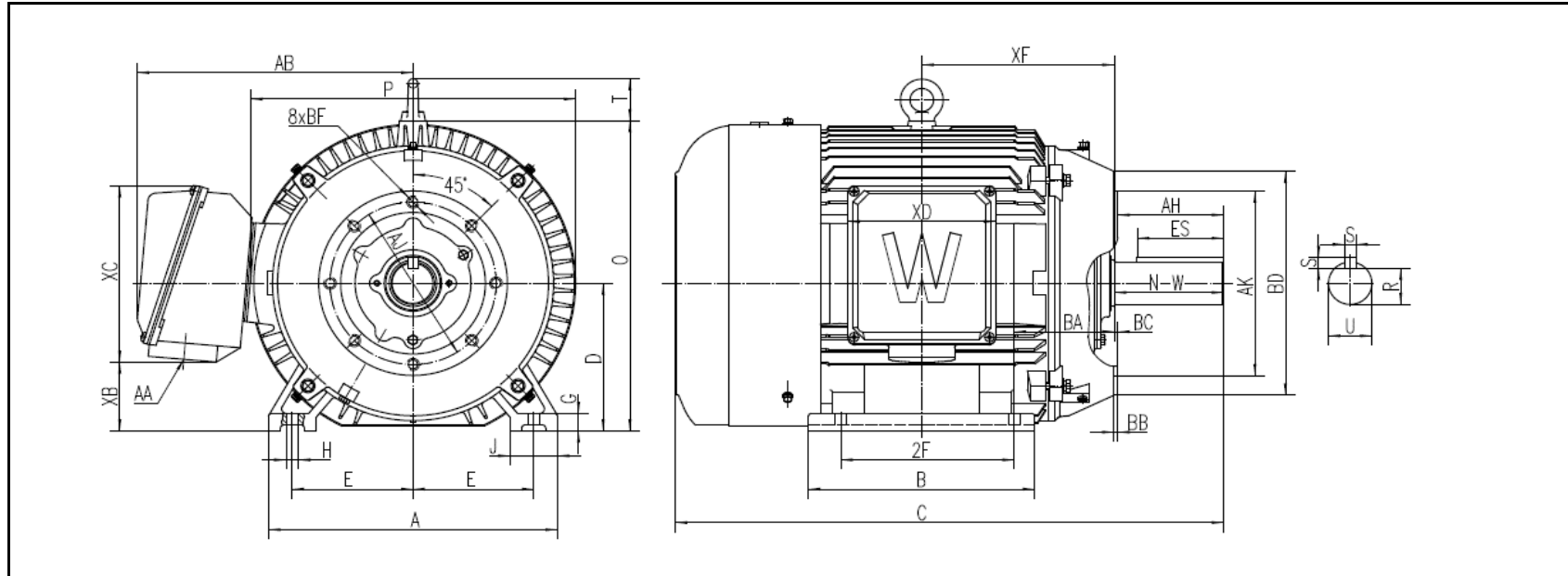
BEARING INFORMATION	
DE Bearing	6316 C3
ODE Bearing Grease Ty	6313 C3
pe DE Regreasing	SKF LGHP 2
Interval	3000 Hours
ODE Regreasing Interval	4500 Hours

ADDITIONAL DATA	
F2 Suitable	Yes
Shaft Material	1045 Carbon Steel
Connection Diagram	230 / 460 V - 12 Lead
Approximate Weight	Δ
	979 lbs.



MOTOR DRAWING

Premium Efficiency Motor: **PEWWE60-12-404TC**



DIMENSION - INCHES

MOUNTING					A	B	C	D	G	J	P	O	T	AB
E	2F1	2F	H	BA										
8	--	12.25	0.81	6.62	19.136	14.961	36.319	10	1.181	3.15	21.535	21.024	2.835	18.264

SHAFT & KEY					
S	ES	R	N-W	AH	U
0.75	5.65	2.45	7.25	7	2.875

TERMINAL BOX				
AA	XB	XC	XD	XF
3	4.659	11.933	9.764	12.746

FLANGE					
AJ	AK	BB	BD	BF	BC
11	12.5	0.25	15.157	5/8-11	0.25



PERFORMANCE CURVES

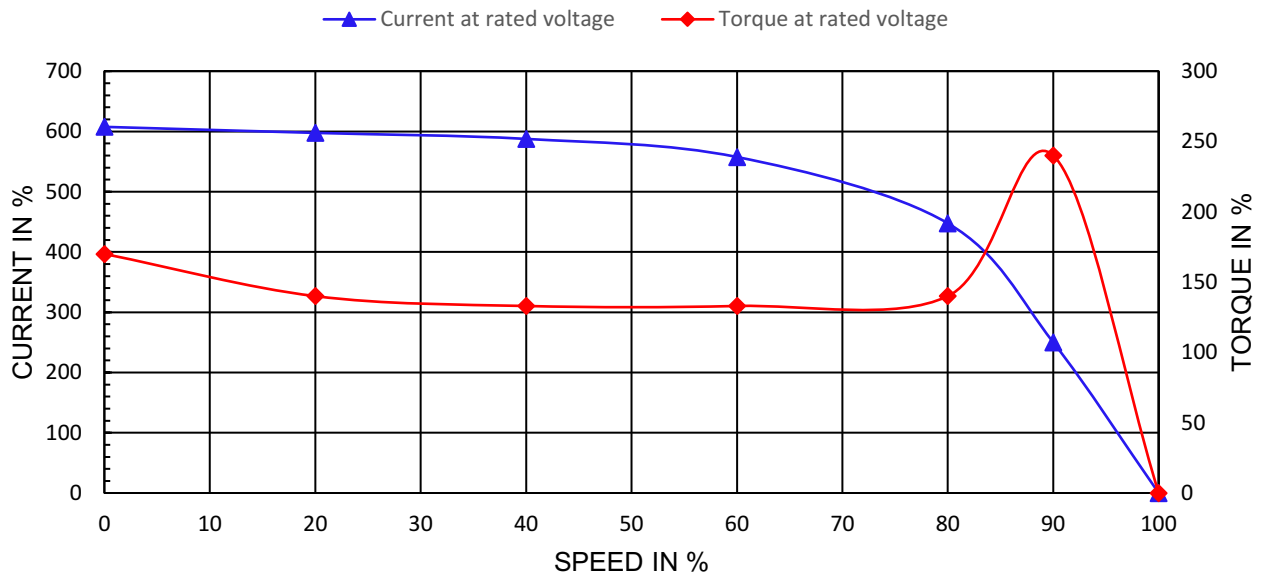
Premium Efficiency Motor: **PEWWE60-12-404TC**

Document Generated: 14-Oct-2024
 Document ID:

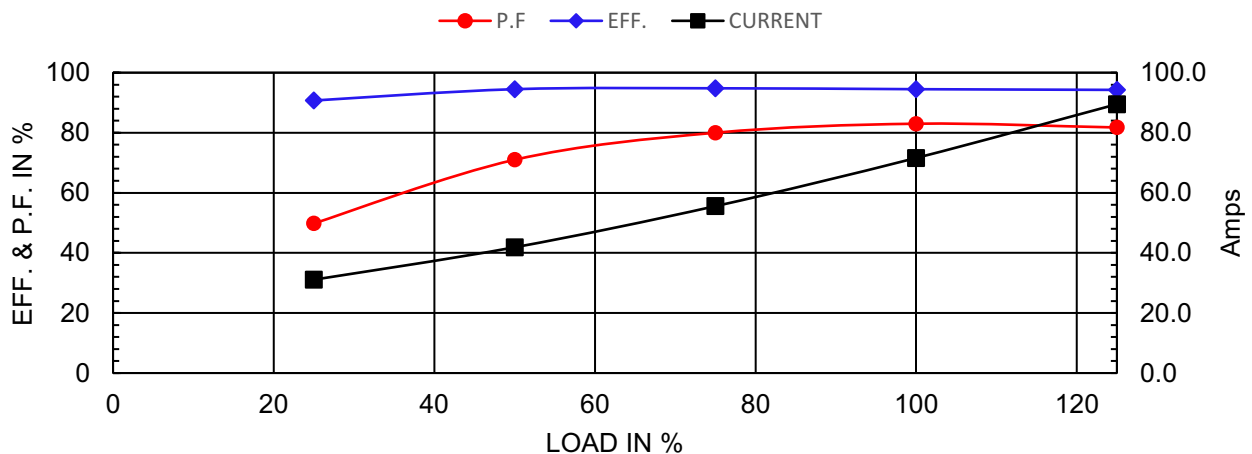
Customer:

Motor Type	PEWWE		FL Speed	1190	
Output Rating (HP)	60		LRT (%FLT)	170	460 volt FLA 71.6
Full Load Torque	265 lb.ft		BDT (%FLT)	240	230 volt FLA 143
Rotor Wk^2	30.6 lb-ft^2				

SPEED VS TORQUE & CURRENT CURVE



OUTPUT VS EFF., P.F. & CURRENT CURVE





NAMEPLATE / WIRING

Premium Efficiency Motor: **PEWWE60-12-404TC**

Document Generated: 14-Oct-2024
 Document ID:

Customer:

SAMPLE NAMEPLATE DATA

		3-PHASE INDUCTION MOTOR		259277 		50Hz 1.0SF HP % V A rpm
Model	<input type="text"/>	Ser No.	<input type="text"/>	Low Voltage ⑥ ④ ⑤ ⑦ ⑧ ⑨ ⑫ ⑩ ⑪ ① ② ③ L1 L2 L3		
HP	<input type="text"/> S.F. <input type="text"/>	Rating	<input type="text"/> °C Amb Cont			
Frame	<input type="text"/> P.F. <input type="text"/>	IP	<input type="text"/> Encl <input type="text"/>			
Voltage	230/460 Hz <input type="text"/>	Code	<input type="text"/> Type <input type="text"/>			
Amps	<input type="text"/> RPM <input type="text"/>	Ins Cl	<input type="text"/> Design <input type="text"/>			
Nom.Eff.	FL % 3/4 %	10:1 CT 20:1 VT PWM VFD 1.0SF		High Voltage ④ ⑤ ⑥ ⑦ ⑧ ⑨ ⑫ ⑩ ⑪ ① ② ③ L1 L2 L3		
Class I DIV. 2 Groups A B C D		Amb.40°C	<input type="text"/>			
Class I Zone 2 IIC		Amb.55°C	<input type="text"/>	Date		
Grease type: LGHP 2 (compatible with polyrex)		DE Brng	<input type="text"/>			
		ODE Brng	<input type="text"/>			
WorldWide Electric Corporation						

Model	<input type="text" value="PEWWE60-12-404TC"/>						
HP	<input type="text" value="60"/>	S.F.	<input type="text" value="1.25"/>	IP	<input type="text" value="IP55"/>	Encl	<input type="text" value="TEFC"/>
Frame	<input type="text" value="404TC"/>	P.F.	<input type="text" value="0.83"/>	Code	<input type="text" value="G"/>	Type	
Voltage	<input type="text" value="230/460 V"/>	Hz	<input type="text" value="60 Hz"/>	Ins Cl	<input type="text" value="F"/>	Ambient	<input type="text" value="40°C"/>
Amps	<input type="text" value="143/71.6"/>	RPM	<input type="text" value="1190"/>	Design	<input type="text" value="B"/>	DE Brng	<input type="text" value="6316 C3"/>
Nom.Eff.	<input type="text" value="FL 94.5% 3/4 94.8%"/>			ODE Brng	<input type="text" value="6313 C3"/>		
Class 1 Division 2 Groups A,B,C,D						T3A(180°C)	
						Grease type: SKF LGHP 2	
50Hz							
<input type="text" value="60 HP"/>		<input type="text" value="200/400 V"/>		<input type="text" value="168/84 A"/>		<input type="text" value="990 rpm"/>	
<input type="text" value="Eff. 92.7%"/>							