



DATA SHEET

Premium Efficiency Motor: **PEWWE75-12-405TC**

60 Hz

Document Generated: 14-Oct-2024
Document ID:

Customer:

MOTOR INFORMATION

HP	75
RPM	1200
Phase	3
Frequency	60 Hz
Voltage	230/460 V
Frame Size	405TC
Enclosure	TEFC
Degree of Protection	IP55
Service Factor	1.25
Poles	6
Full Load Speed	1190
Insulation Class	F
Temp Rise	80°C
NEMA Code Letter	G
Duty Cycle	S1 / Continuous
Slip	0.83%
NEMA Design	B
Moment of Inertia	36 lb.ft.^2
Locked Rotor Time (Hot)	23 seconds
Sound Pressure Level	74 dB(A)
Number of Starts	2 Cold/ 1 Hot
Max Ambient Temperature	40°C
Max Elevation	1000 m.a.s.l (3300 f.a.s.l)
Mounting	F1
Rotation	Bi-Directional
Area of Classification	Class 1 Division 2 Groups A,B,C,D T3A(180°C)
Inverter Rating	10:1 CT / 20:1 VT PWM Type
Standard	NEMA MG-1
Approvals	CSA-US, CE

EFFICIENCY/POWER FACTOR

LOAD	EFF	P. F.
100%	94.5	
%	0.849758%	0.81
50%	94.5 %	0.72

TORQUE

FULL LOAD	LRT	BD
331 lb.ft.	170 %	240 %

AMPERAGE INFORMATION

	230V	460V
Full Load Amps	177A	88.5A
Locked Rotor Amps	1085A	542.5A
No Load Current	61A	30.5A
Usable at 208V	196A	

BEARING INFORMATION

DE Bearing	6316 C3
ODE Bearing Grease Ty	6313 C3
pe DE Regreasing	SKF LGHP 2
Interval	3000 Hours
ODE Regreasing Interval	4500 Hours

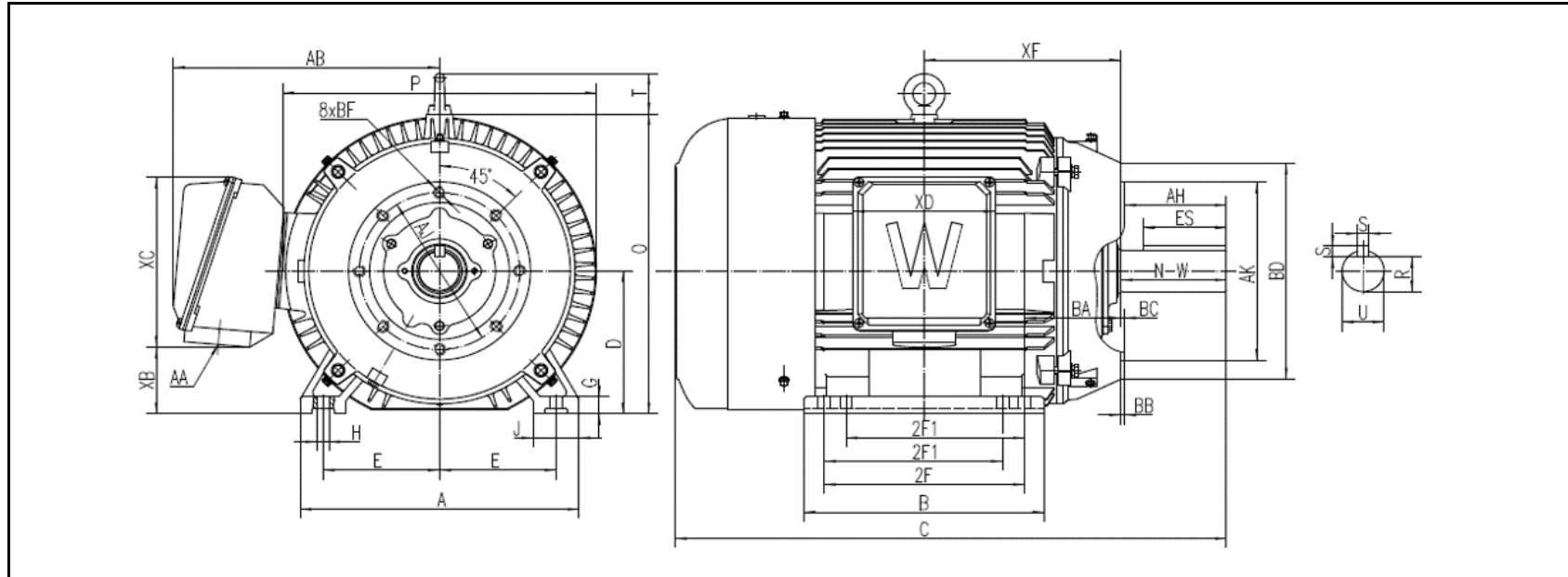
ADDITIONAL DATA

F2 Suitable	Yes
Shaft Material	1045 Carbon Steel
Connection Diagram	230 / 460 V - 12 Lead
Approximate Weight	Δ 1045 lbs.



MOTOR DRAWING

Premium Efficiency Motor: **PEWWE75-12-405TC**



DIMENSION - INCHES

MOUNTING					A	B	C	D	G	J	P	O	T	AB
E	2F1	2F	H	BA										
8	12.25	13.75	0.81	6.62	19.136	16.535	37.815	10	1.181	3.15	21.535	21.024	2.835	18.264

SHAFT & KEY					
S	ES	R	N-W	AH	U
0.75	5.65	2.45	7.25	7	2.875

TERMINAL BOX				
AA	XB	XC	XD	XF
3	4.659	11.933	9.764	13.494

FLANGE					
AJ	AK	BB	BD	BF	BC
11	12.5	0.25	15.157	5/8-11	0.25



PERFORMANCE CURVES

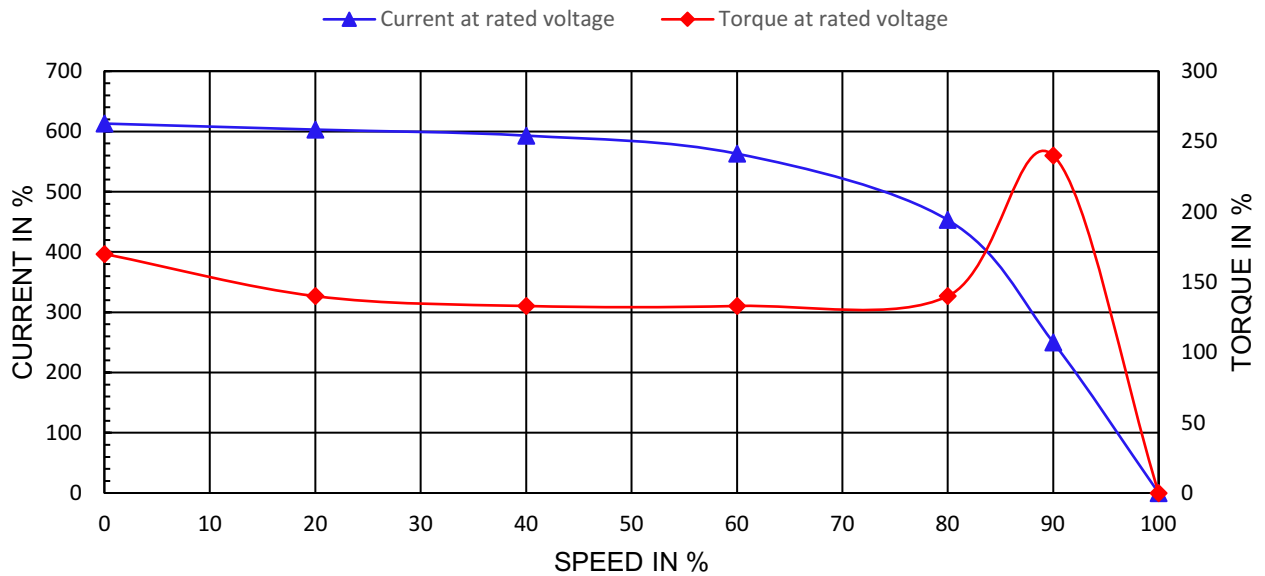
Premium Efficiency Motor: **PEWWE75-12-405TC**

Document Generated: 14-Oct-2024
 Document ID:

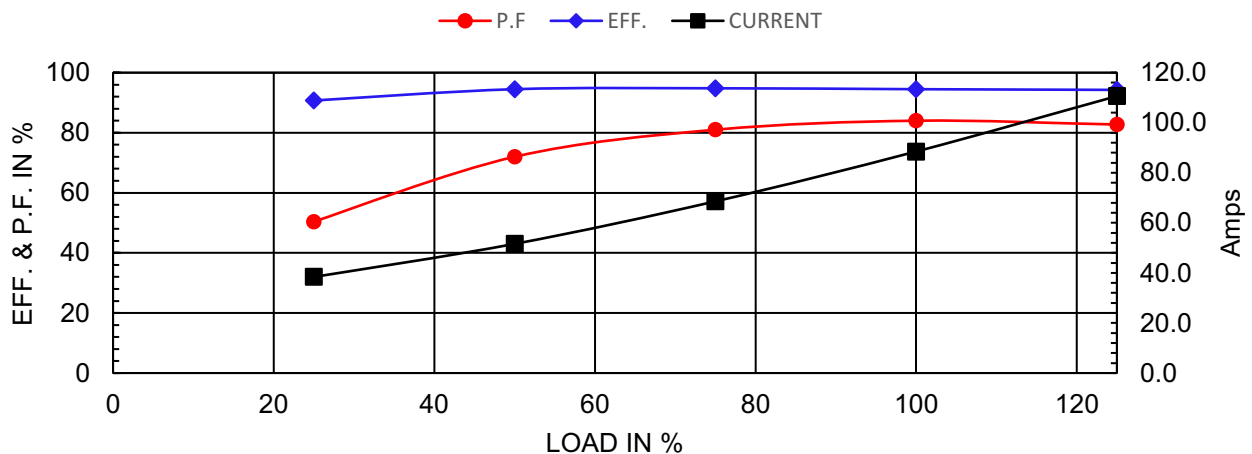
Customer:

Motor Type	PEWWE		FL Speed	1190	
Output Rating (HP)	75		LRT (%FLT)	170	460 volt FLA 88.5
Full Load Torque	331 lb.ft		BDT (%FLT)	240	230 volt FLA 177
Rotor Wk^2	36 lb-ft^2				

SPEED VS TORQUE & CURRENT CURVE



OUTPUT VS EFF., P.F. & CURRENT CURVE





NAMEPLATE / WIRING

Premium Efficiency Motor: **PEWWE75-12-405TC**

Document Generated: 14-Oct-2024
 Document ID:

Customer:

SAMPLE NAMEPLATE DATA

		3-PHASE INDUCTION MOTOR		259277 		50Hz 1.0SF HP % V A rpm
Model	<input type="text"/>	Ser No.	<input type="text"/>	Low Voltage ⑥ ④ ⑤ ⑦ ⑧ ⑨ ⑫ ⑩ ⑪ ① ② ③ L1 L2 L3		
HP	<input type="text"/> S.F. <input type="text"/>	Rating	<input type="text"/> °C Amb Cont			
Frame	<input type="text"/> P.F. <input type="text"/>	IP	<input type="text"/> Encl <input type="text"/>			
Voltage	230/460 Hz <input type="text"/>	Code	<input type="text"/> Type <input type="text"/>			
Amps	<input type="text"/> RPM <input type="text"/>	Ins Cl	<input type="text"/> Design <input type="text"/>			
Nom.Eff.	FL % 3/4 %	10:1 CT 20:1 VT PWM VFD 1.0SF		High Voltage ④ ⑤ ⑥ ⑦ ⑧ ⑨ ⑫ ⑩ ⑪ ① ② ③ L1 L2 L3		
Class I DIV. 2 Groups A B C D		Amb.40°C	<input type="text"/>			
Class I Zone 2 IIC		Amb.55°C	<input type="text"/>	Date <input type="text"/>		
Grease type: LGHP 2 (compatible with polyrex)		DE Brng	<input type="text"/>			
		ODE Brng	<input type="text"/>			
WorldWide Electric Corporation						

Model	<input type="text" value="PEWWE75-12-405TC"/>					
HP	<input type="text" value="75"/>	S.F.	<input type="text" value="1.25"/>	IP	<input type="text" value="IP55"/>	Encl <input type="text" value="TEFC"/>
Frame	<input type="text" value="405TC"/>	P.F.	<input type="text" value="0.84"/>	Code	<input type="text" value="G"/>	Type
Voltage	<input type="text" value="230/460 V"/>	Hz	<input type="text" value="60 Hz"/>	Ins Cl	<input type="text" value="F"/>	Ambient <input type="text" value="40°C"/>
Amps	<input type="text" value="177/88.5"/>	RPM	<input type="text" value="1190"/>	Design	<input type="text" value="B"/>	DE Brng <input type="text" value="6316 C3"/>
Nom.Eff.	<input type="text" value="FL 94.5% 3/4 94.8%"/>			ODE Brng <input type="text" value="6313 C3"/>		
Class 1 Division 2 Groups A,B,C,D				T3A(180°C)		Grease type: <input type="text" value="SKF LGHP 2"/>
50Hz						
<input type="text" value="75 HP"/>		<input type="text" value="200/400 V"/>		<input type="text" value="207/103A"/>		<input type="text" value="990 rpm"/>
<input type="text" value="Eff. 93.1%"/>						