



Electrical Helper.org

For All Your Electric Needs Since 1928

411 N Platte Ave. York, NE. 68467

AC-DC MOTORS :: SALES & SERVICE
REWINDING :: CUSTOM CONTROL PANEL

Kelly MacMillan
Office Ph: 888-226-4917
Fax: 888-226-4917
Cell: 402-679-1579
E-Mail: kelly@electricalhelper.com



WORLDWIDE
ELECTRIC CORPORATION

DATA SHEET

Premium Efficiency Motor: **FD2-18-145T**,

60 Hz

Document Generated: 25-Sep-2024

Document ID:

Customer:

MOTOR INFORMATION

HP	2
RPM	1800
Phase	1
Frequency	60 Hz
Voltage	230
Frame Size	145T
Enclosure	TEFC
Degree of Protection	IP55
Service Factor	1.15
Poles	4
Full Load Speed	1758
Insulation Class	F
Temp Rise	80°C
NEMA Code Letter	F
Duty Cycle	S1 / Continuous
Slip	2.36%
Max Ambient Temperature	40°C
Max Elevation	1000 m.a.s.l (3300 f.a.s.l)
Mounting	F1
Rotation	Bi-Directional
Mounting Type	Rigid Base
Standard	NEMA MG-1
Approvals	UL, CE

EFFICIENCY/POWER FACTOR

LOAD	EFF	P. F.
100%	85.6 %	97.5
75%	83.0 %	97.90
50%	68.2 %	97.1

TORQUE

FULL LOAD	LRT	BDT
6.01 lb.ft.	299 %	241 %

AMPERAGE INFORMATION

	230V
Full Load Amps	7.82A
Locked Rotor Amps	48.69A
No Load Current	1.43A
Usable at 208V	8.65A

BEARING INFORMATION

DE Bearing	6205ZZ C3
ODE Bearing	6203ZZ C3
Grease Type	NSK SN7

CAPACITOR INFORMATION

Start Capacitor	(1)200uF/300V
Run Capacitor	(1)30uF/450V

ADDITIONAL DATA

F2 Suitable	No
Shaft Material	1045 Carbon Steel
Connection Diagram	230V - 4 Lead
Approximate Weight	48.5 lbs.

MOTOR DRAWING

Premium Efficiency Motor: **FD2-18-145T**

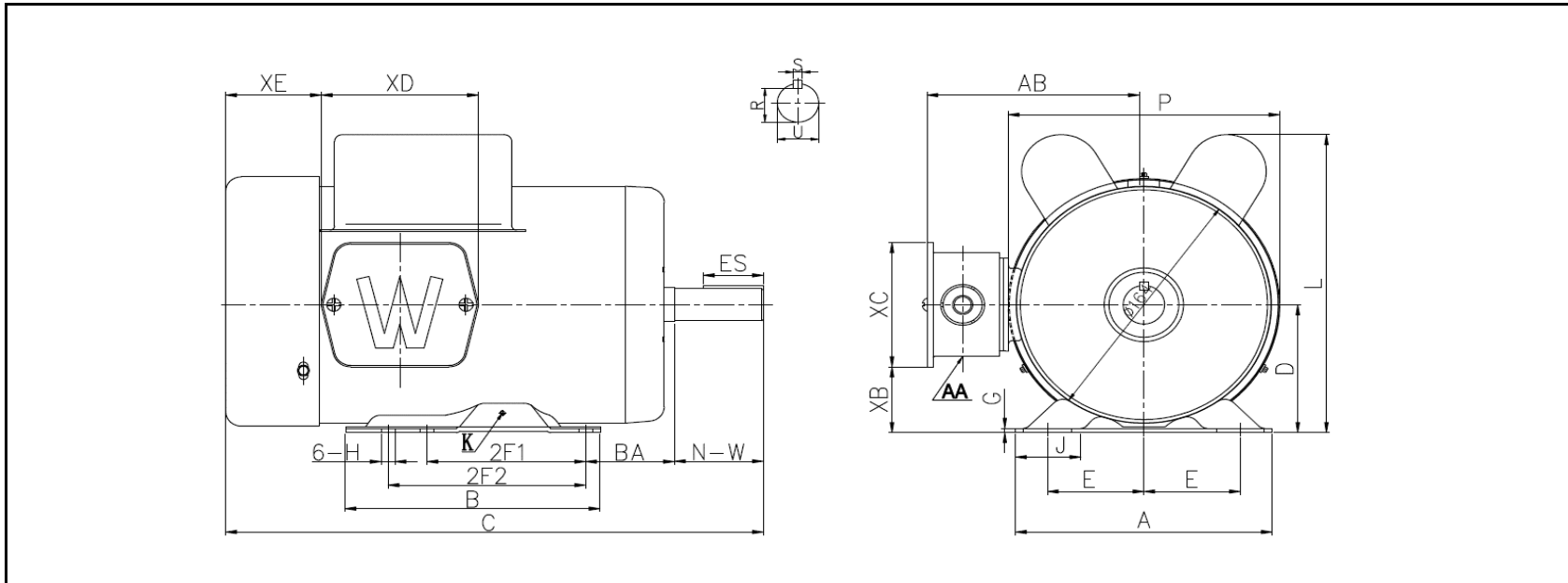


Electrical Helper.org

For All Your Electric Needs Since 1928
411 N Platte Ave. York, NE. 68467

AC-DC MOTORS :: SALES & SERVICE
REWINDING :: CUSTOM CONTROL PANEL

Kelly MacMillan
Office Ph: 888-226-4917
Fax: 888-226-4917
Cell: 402-679-1579
E-Mail: kelly@electricalhelper.com



DIMENSION - INCHES

MOUNTING					A	B	C	D	G	L	P	AB
E	2F1	2F2	H	BA								
2.75	4	5	0.34	2.25	6.5	6.5	13.8	3.5	0.12	8.3	6.8	6.2

KETSET	KEY		SHAFT		TERMINAL BOX					K	J	
	R	ES	S	U	NW	XB	XC	XD	XE			AA
0.771	1.41	0.188	0.875	2.25	1.56	3.96	4.55	1.66	3-0.88/2-1.109		M5	1.65



Electrical Helper.org

For All Your Electric Needs Since 1928
411 N Platte Ave. York, NE. 68467

AC-DC MOTORS :: SALES & SERVICE
REWINDING :: CUSTOM CONTROL PANEL

Kelly MacMillan
Office Ph: 888-226-4917
Fax: 888-226-4917
Cell: 402-679-1579
E-Mail: kelly@electricalhelper.com



NAMEPLATE / WIRING

Premium Efficiency Motor: **FD2-18-145T**

Document Generated: 25-Sep-2024
Document ID:

Customer:

SAMPLE NAMEPLATE DATA

		HIGH EFFICIENCY-HIGH TORQUE SINGLE PHASE FARM DUTY MOTOR			
Model :		SN :		Poles : 4	<p><u>RATED VOLTAGE</u></p> <p>CONNECTED FOR CCW ROTATION FACING OPPOSITE DRIVE END</p> <p>TO REVERSE ROTATION INTERCHANGE LEAD 5 & 8</p> <p>MOTOR MUST BE GROUNDED. USE GREEN LEAD IF SUPPLIED PER THE NATIONAL ELECTRICAL CODE</p>
HP :		Encl : TEFC		IP 55	
Hz :	60	FR :		Eff :	
Volts :	230	Ins : F		P.F. :	
Amps :		CODE :		DE BRG :	
RPM :		WT : LBS		ODE BRG :	
SF :	1.15	Max Amb 40°C - CONT		Date :	
WorldWide Electric Corporation					

Model	FD2-18-145T				
HP	2	Encl	TEFC	IP	IP55
Hz	60 Hz	Frame	145T	Nom.Eff.	85.6%
Voltage	230	Ins Cl	F	P.F.	97.5
Amps	7.82A	Code	F	DE Brng	6205ZZ C3
RPM	1757.6	WT:	48.5 lbs.	ODE Brng	6203ZZ C3
S.F.	1.15				