



**Electrical Helper.org**  
 For All Your Electric Needs Since 1928  
 411 N Platte Ave. York, NE. 68467

AC-DC MOTORS :: SALES & SERVICE  
 REWINDING :: CUSTOM CONTROL PANEL

Kelly MacMillan  
 Office Ph: 888-226-4917  
 Fax: 888-226-4917  
 Cell: 402-679-1579  
 E-Mail: kelly@electricalhelper.com



# DATA SHEET

Premium Efficiency Motor: **FD3-18-184T**,

**60 Hz**

Document Generated: 25-Sep-2024  
 Document ID:

Customer:

## MOTOR INFORMATION

HP	3
RPM	1800
Phase	1
Frequency	60 Hz
Voltage	230
Frame Size	184T
Enclosure	TEFC
Degree of Protection	IP55
Service Factor	1.15
Poles	4
Full Load Speed	1769
Insulation Class	F
Temp Rise	80°C
NEMA Code Letter	H
Duty Cycle	S1 / Continuous
Slip	1.75%
Max Ambient Temperature	40°C
Max Elevation	1000 m.a.s.l (3300 f.a.s.l)
Mounting	F1
Rotation	Bi-Directional
Mounting Type	Rigid Base
Standard	NEMA MG-1
Approvals	UL, CE

## EFFICIENCY/POWER FACTOR

LOAD	EFF	P. F.
100%	84.4 %	91.1
75%	83.0 %	89.0
50%	78.3 %	83.8

## TORQUE

FULL LOAD	LRT	BDT
8.77 lb.ft.	284 %	229 %

## AMPERAGE INFORMATION

	230V
Full Load Amps	12.45A
Locked Rotor Amps	89.17A
No Load Current	4.22A
Usable at 208V	13.77A

## BEARING INFORMATION

DE Bearing	6306ZZ C3
ODE Bearing	6206ZZ C3
Grease Type	NSK SN7

## CAPACITOR INFORMATION

Start Capacitor	(1)250-
Run Capacitor	300uF/300V
	(1)30uF/450V

## ADDITIONAL DATA

F2 Suitable	No
Shaft Material	1045 Carbon Steel
Connection Diagram	230V - 4 Lead
Approximate Weight	75.9 lbs.

# MOTOR DRAWING

Premium Efficiency Motor: **FD3-18-184T**

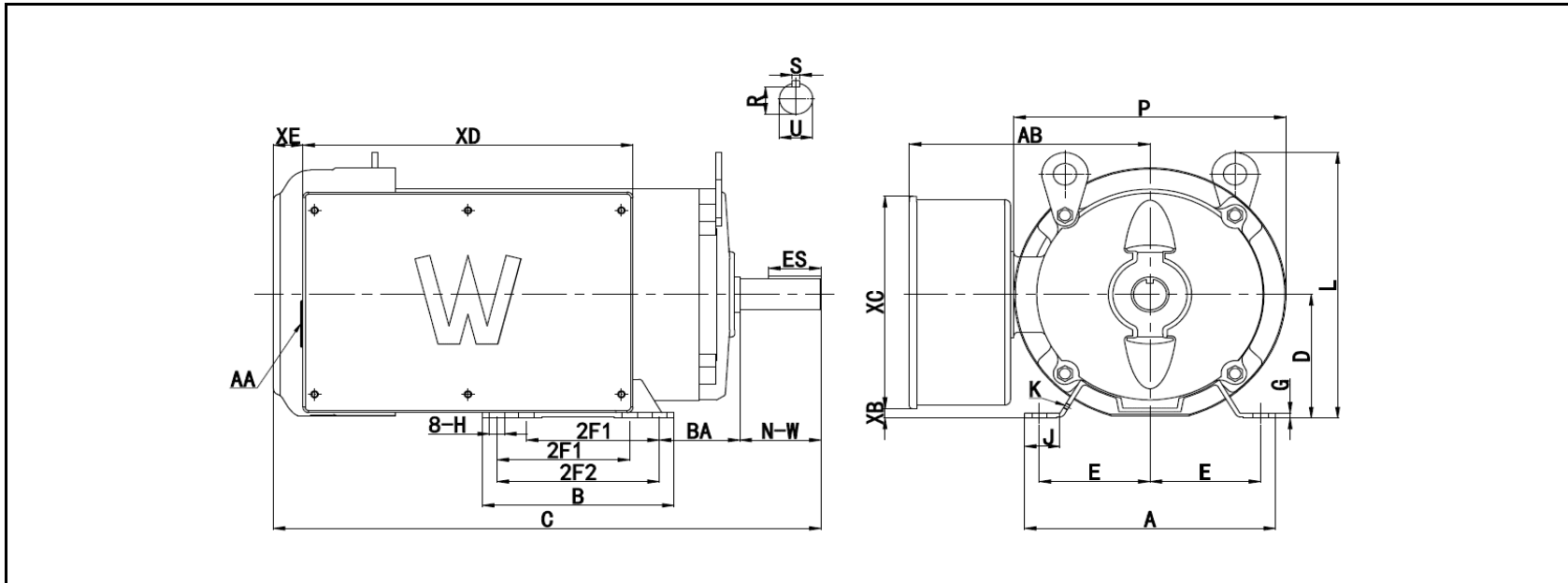


**Electrical Helper.org**

For All Your Electric Needs Since 1928  
411 N Platte Ave. York, NE. 68467

AC-DC MOTORS :: SALES & SERVICE  
REWINDING :: CUSTOM CONTROL PANEL

Kelly MacMillan  
Office Ph: 888-226-4917  
Fax: 888-226-4917  
Cell: 402-679-1579  
E-Mail: kelly@electricalhelper.com



DIMENSION - INCHES

MOUNTING					A	B	C	D	G	L	P	AB
E	2F1	2F2	H	BA								
3.75	4.5	5.5	0.41	2.75	8.5	6.5	18.6	4.5	0.11	10	9.2	8

KETSET	KEY		SHAFT		TERMINAL BOX					K	J	
	R	ES	S	U	NW	XB	XC	XD	XE			AA
0.986	1.78	0.25	1.125	1.125	2.75	0.66	7.7	11.4	2	3/4-14 NPT	M5	1.2



**Electrical Helper.org**

For All Your Electric Needs Since 1928  
411 N Platte Ave. York, NE. 68467

AC-DC MOTORS :: SALES & SERVICE  
REWINDING :: CUSTOM CONTROL PANEL

Kelly MacMillan  
Office Ph: 888-226-4917  
Fax: 888-226-4917  
Cell: 402-679-1579  
E-Mail: kelly@electricalhelper.com



# NAMEPLATE / WIRING

Premium Efficiency Motor: **FD3-18-184T**

Document Generated: 25-Sep-2024  
Document ID:

Customer:

## SAMPLE NAMEPLATE DATA

		HIGH EFFICIENCY-HIGH TORQUE SINGLE PHASE FARM DUTY MOTOR			
Model :		SN :		Poles : 4	<p><u>RATED VOLTAGE</u></p> <p>CONNECTED FOR CCW ROTATION FACING OPPOSITE DRIVE END</p> <p>TO REVERSE ROTATION INTERCHANGE LEAD 5 &amp; 8</p> <p>MOTOR MUST BE GROUNDED. USE GREEN LEAD IF SUPPLIED PER THE NATIONAL ELECTRICAL CODE</p>
HP :		Encl : TEFC		IP 55	
Hz :	60	FR :		Eff :	
Volts :	230	Ins : F		P.F. :	
Amps :		CODE :		DE BRG :	
RPM :		WT : LBS		ODE BRG :	
SF :	1.15	Max Amb 40°C - CONT		Date :	
<b>WorldWide Electric Corporation</b>					

<b>Model</b>	FD3-18-184T				
<b>HP</b>	3	<b>Encl</b>	TEFC	<b>IP</b>	IP55
<b>Hz</b>	60 Hz	<b>Frame</b>	184T	<b>Nom.Eff.</b>	84.4%
<b>Voltage</b>	230	<b>Ins Cl</b>	F	<b>P.F.</b>	91.1
<b>Amps</b>	12.45A	<b>Code</b>	H	<b>DE Brng</b>	6306ZZ C3
<b>RPM</b>	1768.5	<b>WT:</b>	75.9 lbs.	<b>ODE Brng</b>	6206ZZ C3
<b>S.F.</b>	1.15				