



Electrical Helper.org
 For All Your Electric Needs Since 1928
 411 N Platte Ave. York, NE. 68467

AC-DC MOTORS :: SALES & SERVICE
 REWINDING :: CUSTOM CONTROL PANEL
 Kelly MacMillan
 Office Ph: 888-226-4917
 Fax: 888-226-4917
 Cell: 402-679-1579
 E-Mail: kelly@electricalhelper.com



DATA SHEET

Premium Efficiency Motor: **FM1-18-56C**

60 Hz

Document Generated: 31-Mar-2023

Document ID:

Customer:

MOTOR INFORMATION

HP	1
RPM	1800
Phase	1
Frequency	60 Hz
Voltage	115/230
Frame Size	56C
Enclosure	TEFC
Degree of Protection	IP54
Service Factor	1.15
Poles	4
Full Load Speed	1725
Insulation Class	F
Temp Rise	80°C
NEMA Code Letter	M
Duty Cycle	S1 / Continuous
Slip	4.17%
Max Ambient Temperature	40°C
Max Elevation	1000 m.a.s.l (3300 f.a.s.l)
Mounting	F1
Rotation	Bi-Directional
Mounting Type	C-Face with Feet
Standard	NEMA MG-1
Approvals	CSA, CE
Overload	Manual Overload

EFFICIENCY/POWER FACTOR

LOAD	EFF	P. F.
100%	69.0 %	72.2
75%	67.8 %	63.5
50%	63.4 %	51.1

TORQUE

FULL LOAD	LRT	BDT
3.06 lb.ft.	360 %	255 %

AMPERAGE INFORMATION

	115V	230V
Full Load Amps	13	6.5
Locked Rotor Amps	79.5	39.7
No Load Current	8.84	4.42

BEARING INFORMATION

DE Bearing	6203 2RS
ODE Bearing	6203 2RS

CAPACITOR INFORMATION

Start Capacitor	(1)500uF/165V
Run Capacitor	--

ADDITIONAL DATA

F2 Suitable	No
Shaft Material	1045 Carbon Steel
Connection Diagram	115/230V - 6 Lead
Approximate Weight	35.5 lbs.

MOTOR DRAWING

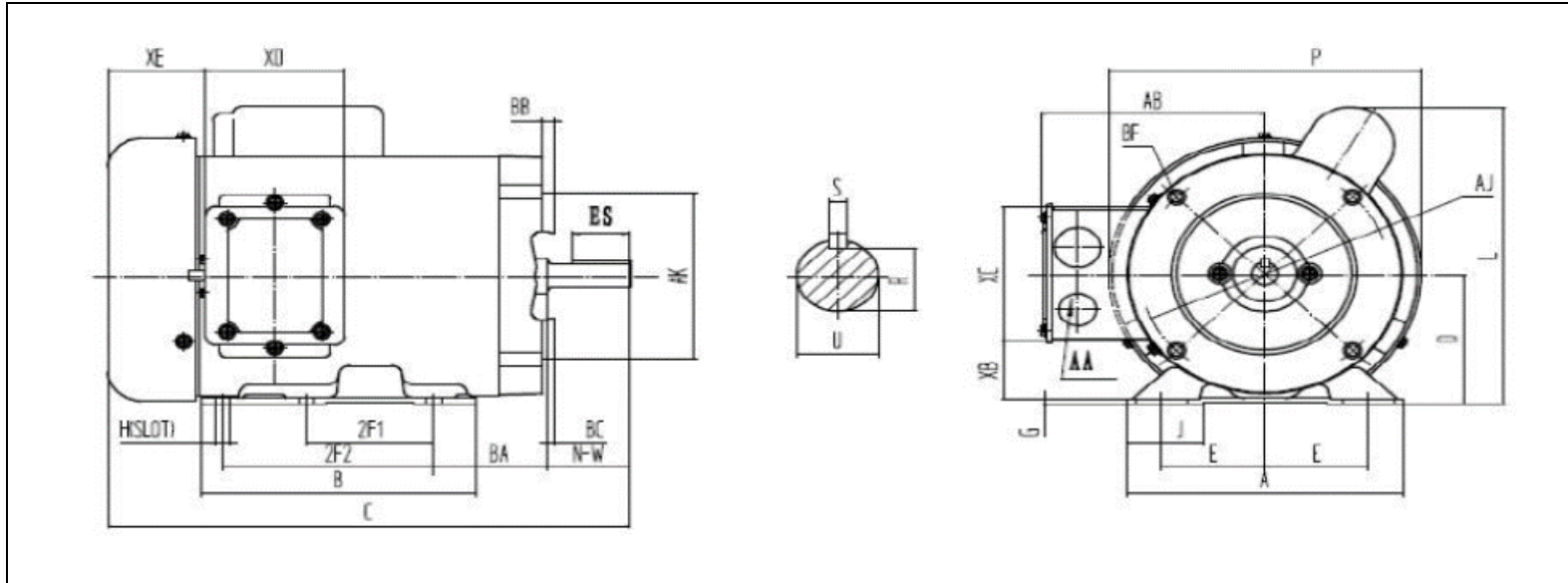
Premium Efficiency Motor: **FM1-18-56C**



Electrical Helper.org
For All Your Electric Needs Since 1928
411 N Platte Ave. York, NE. 68467

AC-DC MOTORS :: SALES & SERVICE
REWINDING :: CUSTOM CONTROL PANEL

Kelly MacMillan
Office Ph: 888-226-4917
Fax: 888-226-4917
Cell: 402-679-1579
E-Mail: kelly@electricalhelper.com



DIMENSION - INCHES

MOUNTING					A	B	C	D	G	L	P	AB	J
E	2F1	2F2	H	BA									
2.44	3	5	0.34	2.75	6.54	6.54	12.9	3.5	0.12	8.2	7.3	5.2	1.65

SHAFT & KEY				
R	ES	S	U	NW
0.517	1.41	0.188	0.625	1.88

TERMINAL BOX				
XB	XC	XD	XE	AA
1.65	3.7	3.2	2.15	2-0.88/2-1.109

FLANGE				
AK	AJ	BF	BB	BC
4.5	5.875	3/8-16	0.16	-0.19



Electrical Helper.org

For All Your Electric Needs Since 1928
411 N Platte Ave. York, NE. 68467

AC-DC MOTORS :: SALES & SERVICE
REWINDING :: CUSTOM CONTROL PANEL

Kelly MacMillan
Office Ph: 888-226-4917
Fax: 888-226-4917
Cell: 402-679-1579
E-Mail: kelly@electricalhelper.com



NAMEPLATE / WIRING

Premium Efficiency Motor: **FM1-18-56C**

Document Generated: 31-Mar-2023

Document ID:

Customer:

SAMPLE NAMEPLATE DATA

		WorldWide Electric Corporation		SINGLE PHASE INDUSTRIAL DUTY MOTOR					
MODEL	FRAME	LOW VOLTAGE		HIGH VOLTAGE		MADE IN CHINA			
Hz	ENCL.	BLACK(P1) — LINE1		BLACK(P1) — LINE1					
HP	PH	BROWN(P2) —] INS	BROWN(P2) — INS					
RPM	DUTY	ORANGE(T3) —		ORANGE(T3) —	RED(T8) —] INS	
VOLTS	CODE	RED(T8) —		RED(T8) —					
AMPS	INS.	WHITE(T2) —] LINE2	WHITE(T2) —					
S. F.	DES.	YELLOW(T4) —		YELLOW(T4) —	YELLOW(T4) —] LINE2	
SFA.	LB/WT	BLACK(T5) —		BLACK(T5) —					
MAX. AMB.	DE/ODE BRG.	ACCEPTABLE FOR FIELD WIRING							
SERIAL NO. xxxxxxxxxx Date Code xx/xxxx		ROTATION CCW-OPE TO REVERSE EITHER VOLTAGE INTERCHANGE BLACK (T5) AND RED (T8) LEADS THERMALLY PROTECTED : MANUAL							

Model	FM1-18-56C	Frame	56C
Hz	60 Hz	Encl	TEFC
HP	1	PH	1
RPM	1725	DUTY	CONT
Voltage	115/230	Code	M
Amps	13.0/6.5	Ins Cl	F
S.F.	1.15	IP	IP54
SFA.	14.0/7.0	DES.	N
DE Brng	6203 2RS	WT:	35.5 lbs.
ODE Brng	6203 2RS	MAX. AMB.	40°C