



DATA SHEET

Premium Efficiency Motor: **NT1-18-56CB**

60 Hz

Document Generated: 5-Sep-2023
 Document ID:

Customer:

MOTOR INFORMATION

HP	1
RPM	1800
Phase	1
Frequency	60 Hz
Voltage	115/230
Frame Size	56HC
Enclosure	TEFC
Degree of Protection	IP43
Service Factor	1.15
Poles	4
Full Load Speed	1725
Insulation Class	F
Temp Rise	80°C
NEMA Code Letter	M
Duty Cycle	S1 / Continuous
Slip	4.17%
Max Ambient Temperature	40°C
Max Elevation	1000 m.a.s.l (3300 f.a.s.l)
Mounting	F1
Rotation	Bi-Directional
Mounting Type	C-Face with Removable Base
Standard	NEMA MG-1
Approvals	CSA, CE
Overload	None

EFFICIENCY/POWER FACTOR

LOAD	EFF	P. F.
100%	71.8 %	71.2
75%	70.5 %	62.3
50%	66.1 %	49.8

TORQUE

FULL LOAD	LRT	BDT
3.06 lb.ft.	350 %	240 %

AMPERAGE INFORMATION

	115V	230V
Full Load Amps	13	6.5
Locked Rotor Amps	79.9	40.0
No Load Current	8.79	4.395
Usable at 208V	6.8A	

BEARING INFORMATION

DE Bearing	6203 2RS
ODE Bearing	6203 2RS

CAPACITOR INFORMATION

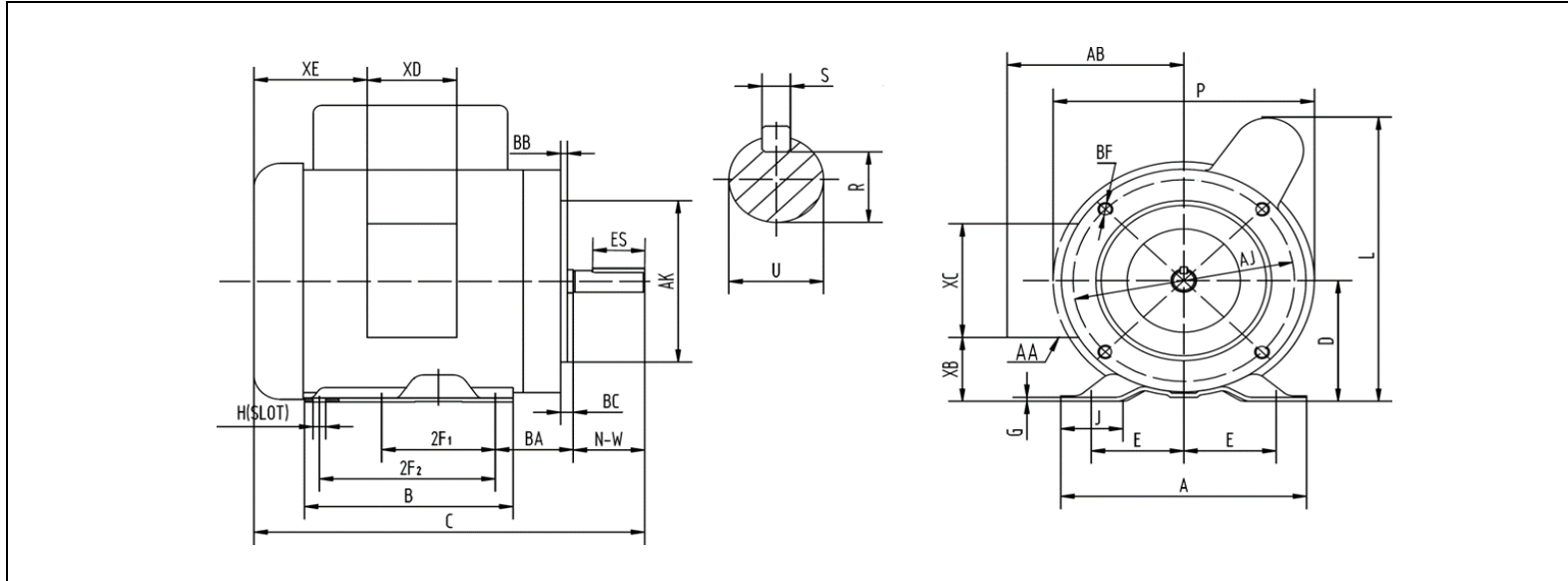
Start Capacitor	(1)500uF/165V
Run Capacitor	--

ADDITIONAL DATA

F2 Suitable	No
Shaft Material	1045 Carbon Steel
Connection Diagram	115/230V - 6 Lead
Approximate Weight	36 lbs.

MOTOR DRAWING

Premium Efficiency Motor: **NT1-18-56CB**



DIMENSION - INCHES

MOUNTING					A	B	C	D	G	L	P	AB	J
E	2F1	2F2	H	BA									
2.44	3	5	0.34	2.75	6.54	6.54	12.9	3.5	0.12	8.2	7.3	5.2	1.65

SHAFT & KEY				
R	ES	S	U	NW
0.517	1.41	0.188	0.625	1.88

TERMINAL BOX				
XB	XC	XD	XE	AA
1.65	3.7	3.2	2.15	3-0.88/2-1.109

FLANGE				
AK	AJ	BF	BB	BC
4.5	5.875	3/8-16	0.16	-0.19






NAMEPLATE / WIRING

Premium Efficiency Motor: **NT1-18-56CB**

Document Generated: 5-Sep-2023
 Document ID:

Customer:

SAMPLE NAMEPLATE DATA

		SINGLE PHASE INDUCTION MOTOR		 																											
						MODEL 56C																									
Hz	60	ENCL.	TEFC	<table border="0"> <tr> <td colspan="2">LOW VOLTAGE</td> <td colspan="2">HIGH VOLTAGE</td> </tr> <tr> <td>BLUE (T1)</td> <td rowspan="2">] LINE1</td> <td>BLUE (T1)</td> <td>LINE1</td> </tr> <tr> <td>ORANGE (T3)</td> <td>ORANGE (T3)</td> <td rowspan="2">] INS</td> </tr> <tr> <td>RED (T8)</td> <td>RED (T8)</td> <td>RED (T8)</td> </tr> <tr> <td>WHITE (T2)</td> <td rowspan="2">] LINE2</td> <td>WHITE (T2)</td> <td>WHITE (T2)</td> </tr> <tr> <td>YELLOW (T4)</td> <td>YELLOW (T4)</td> <td>YELLOW (T4)</td> <td>LINE2</td> </tr> <tr> <td>BLACK (T5)</td> <td>BLACK (T5)</td> <td>BLACK (T5)</td> <td>BLACK (T5)</td> </tr> </table>		LOW VOLTAGE		HIGH VOLTAGE		BLUE (T1)] LINE1	BLUE (T1)	LINE1	ORANGE (T3)	ORANGE (T3)] INS	RED (T8)	RED (T8)	RED (T8)	WHITE (T2)] LINE2	WHITE (T2)	WHITE (T2)	YELLOW (T4)	YELLOW (T4)	YELLOW (T4)	LINE2	BLACK (T5)	BLACK (T5)	BLACK (T5)	BLACK (T5)
LOW VOLTAGE		HIGH VOLTAGE																													
BLUE (T1)] LINE1	BLUE (T1)	LINE1																												
ORANGE (T3)		ORANGE (T3)] INS																												
RED (T8)	RED (T8)	RED (T8)																													
WHITE (T2)] LINE2	WHITE (T2)	WHITE (T2)																												
YELLOW (T4)		YELLOW (T4)	YELLOW (T4)	LINE2																											
BLACK (T5)	BLACK (T5)	BLACK (T5)	BLACK (T5)																												
HP		PH	1																												
RPM		DUTY	CONT																												
VOLTS	115/230	CODE																													
AMPS		INS. F	IP43																												
		DES.																													
S. F.	1.15	LB/WT																													
SFA.		MAX. AMB.	40°C																												
DE/ODE BRG.		Date Code	XX/XXXXX																												
SERIAL NO. XXXXXXXXXX		WorldWide Electric Corporation		ACCEPTABLE FOR FIELD WIRING ROTATION CCV-OPE TO REVERSE EITHER VOLTAGE INTERCHANGE BLACK (T5) AND RED (T8) LEADS THERMALLY PROTECTED : NONE																											

MADE IN CHINA

Model	NT1-18-56CB	Frame	56HC
Hz	60 Hz	Encl	TEFC
HP	1	PH	1
RPM	1725	DUTY	CONT
Voltage	115/230	Code	M
Amps	13.0/6.5	Ins Cl	F
S.F.	1.15	IP	IP43
SFA.	14.0/7.0	DES.	N
DE Brng	6203 2RS	WT:	36 lbs.
ODE Brng	6203 2RS		