



**Electrical Helper.org**  
 For All Your Electric Needs Since 1928  
 411 N Platte Ave. York, NE. 68467

AC-DC MOTORS :: SALES & SERVICE  
 REWINDING :: CUSTOM CONTROL PANEL  
 Kelly MacMillan  
 Office Ph: 888-226-4917  
 Fax: 888-226-4917  
 Cell: 402-679-1579  
 E-Mail: kelly@electricalhelper.com



# DATA SHEET

Premium Efficiency Motor: **NT2-18-56CB**

**60 Hz**

Document Generated: 5-Sep-2023  
 Document ID:

Customer:

MOTOR INFORMATION	
HP	2
RPM	1800
Phase	1
Frequency	60 Hz
Voltage	115/230
Frame Size	56HC
Enclosure	TEFC
Degree of Protection	IP43
Service Factor	1.15
Poles	4
Full Load Speed	1725
Insulation Class	F
Temp Rise	80°C
NEMA Code Letter	M
Duty Cycle	S1 / Continuous
Slip	4.17%
Max Ambient Temperature	40°C
Max Elevation	1000 m.a.s.l (3300 f.a.s.l)
Mounting	F1
Rotation	Bi-Directional
Mounting Type	C-Face with Removable Base
Standard	NEMA MG-1
Approvals	CSA, CE
Overload	None

EFFICIENCY/POWER FACTOR		
LOAD	EFF	P. F.
100%	79.1 %	83
75%	78.6 %	75.8
50%	74.6 %	63.7

TORQUE		
FULL LOAD	LRT	BDT
6.13 lb.ft.	305 %	235 %

AMPERAGE INFORMATION		
	115V	230V
Full Load Amps	19.6	9.8
Locked Rotor Amps	153.0	76.5
No Load Current	16.18	8.09
Usable at 208V	10.4A	

BEARING INFORMATION	
DE Bearing	6203 2RS
ODE Bearing	6203 2RS

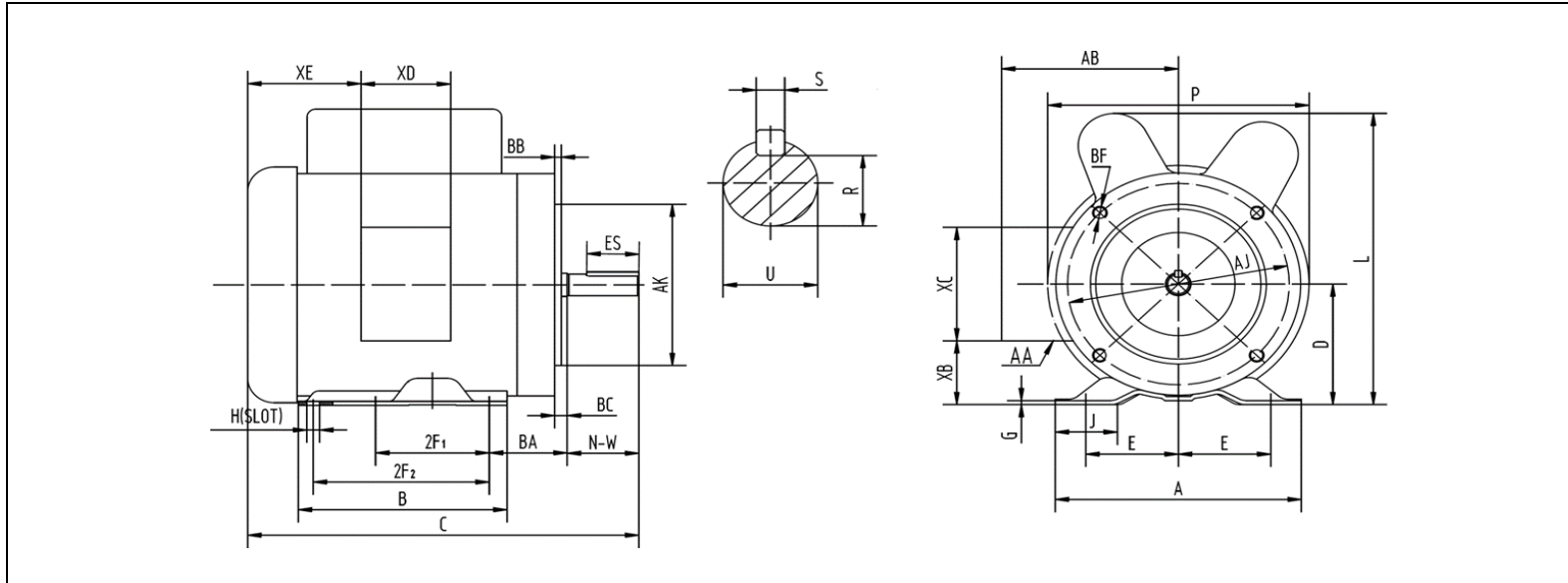
CAPACITOR INFORMATION	
Start Capacitor	(1)800uF/165V
Run Capacitor	(1)40uF/250V

ADDITIONAL DATA	
F2 Suitable	No
Shaft Material	1045 Carbon Steel
Connection Diagram	115/230V - 6 Lead
Approximate Weight	44 lbs.



# MOTOR DRAWING

Premium Efficiency Motor: **NT2-18-56CB**



## DIMENSION - INCHES

MOUNTING					A	B	C	D	G	L	P	AB	J
E	2F1	2F2	H	BA									
2.44	3	5	0.34	2.75	6.54	6.54	13.9	3.5	0.12	8.7	8.2	5.2	1.65

SHAFT & KEY				
R	ES	S	U	NW
0.517	1.41	0.188	0.625	1.88

TERMINAL BOX				
XB	XC	XD	XE	AA
1.65	3.7	3.2	2.15	3-0.88/2-1.109

FLANGE				
AK	AJ	BF	BB	BC
4.5	5.875	3/8-16	0.16	-0.19



# NAMEPLATE / WIRING

Premium Efficiency Motor: **NT2-18-56CB**

Document Generated: 5-Sep-2023  
 Document ID:

Customer:

## SAMPLE NAMEPLATE DATA

		SINGLE PHASE INDUCTION MOTOR						MADE IN CHINA	
									MODEL
Hz 60	ENCL. TEFC	LOW VOLTAGE	HIGH VOLTAGE	ACCEPTABLE FOR FIELD WIRING ROTATION CCW-OPE TO REVERSE EITHER VOLTAGE INTERCHANGE BLACK (T5) AND RED (T8) LEADS THERMALLY PROTECTED : NONE		DE/ODE BRG.		Date Code XX/XXXXX	
HP	PH 1	BLUE (T1)	BLUE (T1)					S. F. 1.15	LB/WT
RPM	DUTY CONT	ORANGE (T3)	ORANGE (T3)	INS. F IP43		DES.		MAX. AMB. 40°C	
VOLTS 115/230	CODE	RED (T8)	RED (T8)						
AMPS	INS. F IP43	WHITE (T2)	WHITE (T2)	MADE IN CHINA		SFA.		WT: 44 lbs.	
S. F. 1.15	LB/WT	YELLOW (T4)	YELLOW (T4)						
SFA.	MAX. AMB. 40°C	BLACK (T5)	BLACK (T5)	MADE IN CHINA		DE/ODE BRG.		WT: 44 lbs.	
DE/ODE BRG.	Date Code XX/XXXXX	SERIAL NO. XXXXXXXXXXXX							

<b>Model</b>	NT2-18-56CB	<b>Frame</b>	56HC
<b>Hz</b>	60 Hz	<b>Encl</b>	TEFC
<b>HP</b>	2	<b>PH</b>	1
<b>RPM</b>	1725	<b>DUTY</b>	CONT
<b>Voltage</b>	115/230	<b>Code</b>	M
<b>Amps</b>	19.6/9.8	<b>Ins Cl</b>	F
<b>S.F.</b>	1.15	<b>IP</b>	IP43
<b>SFA.</b>	22.8/11.4	<b>DES.</b>	L
<b>DE Brng</b>	6203 2RS	<b>WT:</b>	44 lbs.
<b>ODE Brng</b>	6203 2RS		