



**Electrical Helper.org**  
 For All Your Electric Needs Since 1928  
 411 N Platte Ave. York, NE. 68467

AC-DC MOTORS :: SALES & SERVICE  
 REWINDING :: CUSTOM CONTROL PANEL  
 Kelly MacMillan  
 Office Ph: 888-226-4917  
 Fax: 888-226-4917  
 Cell: 402-679-1579  
 E-Mail: kelly@electricalhelper.com



# DATA SHEET

Premium Efficiency Motor: **NT2-36-56CB**

**60 Hz**

Document Generated: 5-Sep-2023

Document ID:

Customer:

## MOTOR INFORMATION

HP	2
RPM	3600
Phase	1
Frequency	60 Hz
Voltage	115/230
Frame Size	56HC
Enclosure	TEFC
Degree of Protection	IP43
Service Factor	1.15
Poles	2
Full Load	3450
Speed	F
Temperature Class	80°C
NEMA Code Letter	K
Duty Cycle	S1 / Continuous
Slip	4.17%
Max Ambient Temperature	40°C
Max Elevation	1000 m.a.s.l (3300 f.a.s.l)
Mounting	F1
Rotation	Bi-Directional
Mounting Type	C-Face with Removable Base
Standard	NEMA MG-1
Approvals	CSA, CE
Overload	None

## EFFICIENCY/POWER FACTOR

LOAD	EFF	P. F.
100%	81.2 %	95.6
75%	81.6 %	95.2
50%	79.0 %	92.

## TORQUE

FULL LOAD	LRT	BDT
3.06 lb.ft.	210 %	220 %

## AMPERAGE INFORMATION

	115V	230V
Full Load Amps	17	8.5
Locked Rotor Amps	132.4	66.2
No Load Current	8.87	4.435
Usable at 208V	9.5A	

## BEARING INFORMATION

DE Bearing	6203 2RS
ODE	6203 2RS

## CAPACITOR INFORMATION

Start	(1)800uF/165V
Capacitor Run	(1)40uF/250V

Capacitor

## ADDITIONAL DATA

F2 Suitable	No
Shaft Material	1045 Carbon
Connection Diagram	Steel 115/230V -
Approximate Weight	6 Lead

37 lbs.



**Electrical Helper.org**  
 For All Your Electric Needs Since 1928  
 411 N Platte Ave. York, NE. 68467

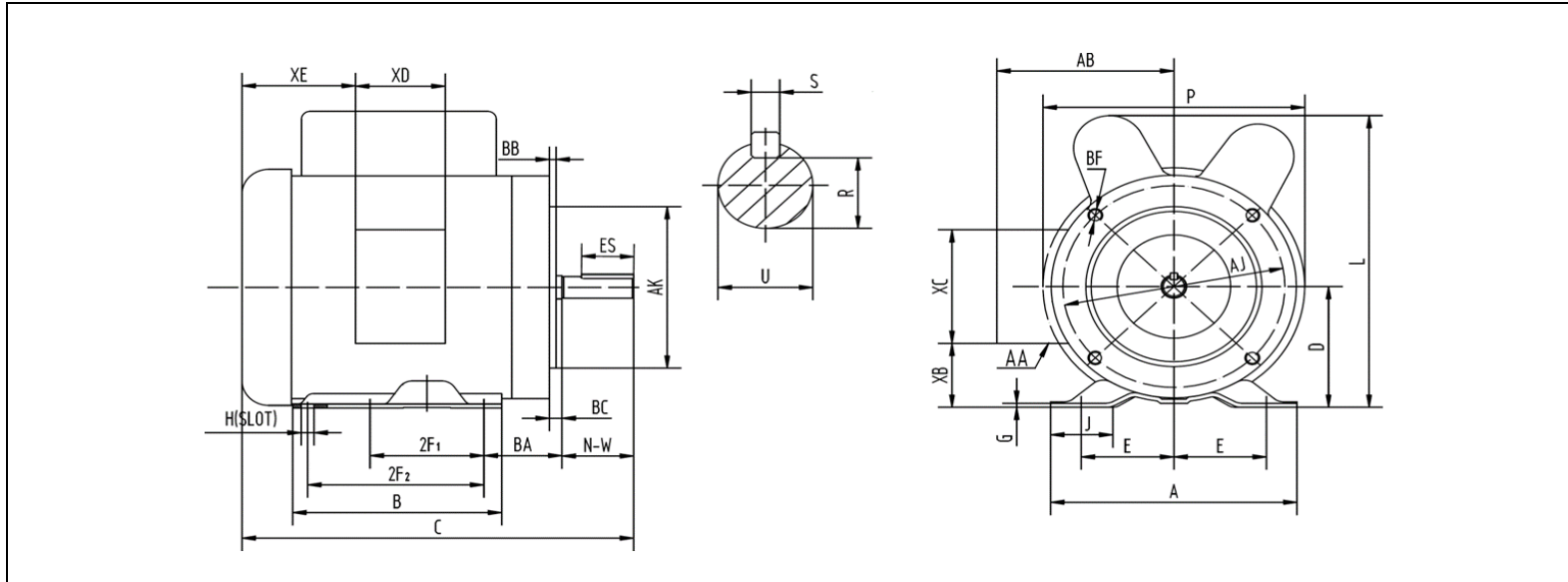
AC-DC MOTORS :: SALES & SERVICE  
 REWINDING :: CUSTOM CONTROL PANEL

Kelly MacMillan  
 Office Ph: 888-226-4917  
 Fax: 888-226-4917  
 Cell: 402-679-1579  
 E-Mail: kelly@electricalhelper.com



# MOTOR DRAWING

Premium Efficiency Motor: **NT2-36-56CB**



## DIMENSION - INCHES

MOUNTING					A	B	C	D	G	L	P	AB	J
E	2F1	2F2	H	BA									
2.44	3	5	0.34	2.75	6.54	6.54	12.9	3.5	0.12	8.7	8.2	5.2	1.65

SHAFT & KEY				
R	ES	S	U	NW
0.517	1.41	0.188	0.625	1.88

TERMINAL BOX				
XB	XC	XD	XE	AA
1.65	3.7	3.2	2.15	3-0.88/2-1.109

FLANGE				
AK	AJ	BF	BB	BC
4.5	5.875	3/8-16	0.16	-0.19



# NAMEPLATE / WIRING

Premium Efficiency Motor: **NT2-36-56CB**

Document Generated: 5-Sep-2023  
 Document ID:

Customer:

## SAMPLE NAMEPLATE DATA

		SINGLE PHASE INDUCTION MOTOR					
						MODEL <b>FRAME 56C</b>	
Hz	60	ENCL.	TEFC	LOW VOLTAGE		HIGH VOLTAGE	
HP		PH	1	BLUE (T1) — LINE1 ORANGE (T3) — LINE1 RED (T8) — LINE1	BLUE (T1) — LINE1 ORANGE (T3) — INS RED (T8) — INS	MADE IN CHINA	
RPM		DUTY	CONT	WHITE (T2) — LINE2 YELLOW (T4) — LINE2 BLACK (T5) — LINE2	WHITE (T2) — LINE2 YELLOW (T4) — LINE2 BLACK (T5) — LINE2		
VOLTS	115/230	CODE		ACCEPTABLE FOR FIELD WIRING ROTATION CCW-OPE TO REVERSE EITHER VOLTAGE INTERCHANGE BLACK (T5) AND RED (T8) LEADS THERMALLY PROTECTED : NONE			
AMPS		INS. F	IP43				
		DES.					
S. F.	1.15	LB/WT					
SFA.		MAX. AMB.	40°C				
DE/ODE BRG.		Date Code	XX/XXXXX				
SERIAL NO. XXXXXXXXXXXX		WorldWide Electric Corporation					

<b>Model</b>	NT2-36-	<b>Frame</b>	56CB	<b>Hz</b>	60	<b>Encl</b>	TEFC
<b>HP</b>	2	<b>PH</b>	1	<b>RPM</b>	3450	<b>DUTY</b>	CONT
<b>Voltage</b>	115/230	<b>Code</b>	K	<b>Amps</b>	17.0/8.5	<b>Ins Cl</b>	F
<b>S.F.</b>	1.15	<b>IP</b>	IP43	<b>SFA.</b>	19.6/9.8	<b>DES.</b>	L
<b>DE Brng</b>	6203 2RS	<b>WT:</b>	37	<b>lbs. ODE Brng</b>	6203 2RS		