



Electrical Helper.org

For All Your Electric Needs Since 1928
411 N Platte Ave. York, NE. 68467

AC-DC MOTORS :: SALES & SERVICE
REWINDING :: CUSTOM CONTROL PANEL

Kelly MacMillan
Office Ph: 888-226-4917
Fax: 888-226-4917
Cell: 402-679-1579
E-Mail: kelly@electricalhelper.com



WORLDWIDE
ELECTRIC CORPORATION

DATA SHEET

Premium Efficiency Motor: **NT34-18-56CB**

60 Hz

Document Generated: 5-Sep-2023

Document ID:

Customer:

MOTOR INFORMATION

HP	3/4
RPM	1800
Phase	1
Frequency	60 Hz
Voltage	115/230
Frame Size	56C
Enclosure	TEFC
Degree of Protection	IP43
Service Factor	1.15
Poles	4
Full Load Speed	1725
Insulation Class	F
Temp Rise	80°C
NEMA Code Letter	M
Duty Cycle	S1 / Continuous
Slip	4.17%
Max Ambient Temperature	40°C
Max Elevation	1000 m.a.s.l (3300 f.a.s.l)
Mounting	F1
Rotation	Bi-Directional
Mounting Type	C-Face with Removable Base
Standard	NEMA MG-1
Approvals	CSA, CE
Overload	None

EFFICIENCY/POWER FACTOR

LOAD	EFF	P. F.
100%	69.3 %	73.6
75%	68.7 %	65.0
50%	64.7 %	52.4

TORQUE

FULL LOAD	LRT	BDT
2.25 lb.ft.	370 %	215 %

AMPERAGE INFORMATION

	115V	230V
Full Load Amps	10	5
Locked Rotor Amps	55.4	27.7
No Load Current	6.29	3.145
Usable at 208V	5.3A	

BEARING INFORMATION

DE Bearing	6203 2RS
ODE Bearing	6203 2RS

CAPACITOR INFORMATION

Start Capacitor	(1)500uF/165V
Run Capacitor	--

ADDITIONAL DATA

F2 Suitable	No
Shaft Material	1045 Carbon Steel
Connection Diagram	115/230V - 6 Lead
Approximate Weight	29 lbs.

MOTOR DRAWING

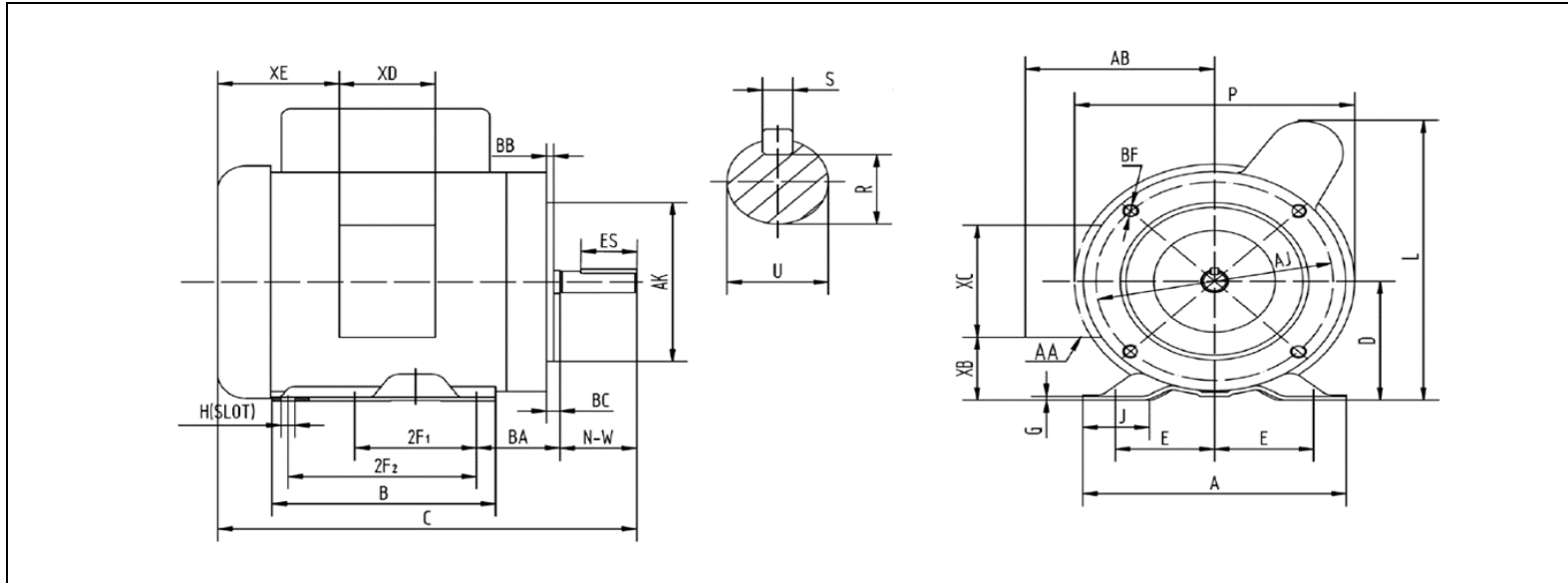
Premium Efficiency Motor: **NT34-18-56CB**



Electrical Helper.org
 For All Your Electric Needs Since 1928
 411 N Platte Ave. York, NE. 68467

AC-DC MOTORS :: SALES & SERVICE
 REWINDING :: CUSTOM CONTROL PANEL

Kelly MacMillan
 Office Ph: 888-226-4917
 Fax: 888-226-4917
 Cell: 402-679-1579
 E-Mail: kelly@electricalhelper.com



DIMENSION - INCHES

MOUNTING					A	B	C	D	G	L	P	AB	J
E	2F1	2F2	H	BA									
2.44	3	5	0.34	2.75	6.54	6.54	12.4	3.5	0.12	8.2	7.3	5.2	1.65

SHAFT & KEY				
R	ES	S	U	NW
0.517	1.41	0.188	0.625	1.88

TERMINAL BOX				
XB	XC	XD	XE	AA
1.65	3.7	3.2	2.15	3-0.88/2-1.109

FLANGE				
AK	AJ	BF	BB	BC
4.5	5.875	3/8-16	0.16	-0.19






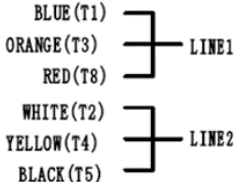
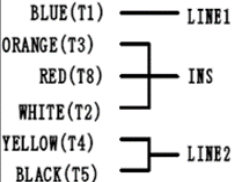
NAMEPLATE / WIRING

Premium Efficiency Motor: **NT34-18-56CB**

Document Generated: 5-Sep-2023
 Document ID:

Customer:

SAMPLE NAMEPLATE DATA

		SINGLE PHASE INDUCTION MOTOR		 			
						MODEL	
Hz	60	ENCL.	TEFC	LOW VOLTAGE		HIGH VOLTAGE	
HP		PH	1	BLUE (T1)		BLUE (T1)	LINE1
RPM		DUTY	CONT	ORANGE (T3)		ORANGE (T3)	RED (T8)
VOLTS	115/230	CODE		RED (T8)		WHITE (T2)	
AMPS		INS. F	IP43	WHITE (T2)		WHITE (T2)	YELLOW (T4)
		DES.		YELLOW (T4)	YELLOW (T4)	BLACK (T5)	
S. F.	1.15	LB/WT		BLACK (T5)			
SFA.		MAX. AMB.	40°C		ACCEPTABLE FOR FIELD WIRING ROTATION CCV-OPE TO REVERSE EITHER VOLTAGE INTERCHANGE BLACK (T5) AND RED (T8) LEADS THERMALLY PROTECTED : NONE		
DE/ODE BRG.		Date Code	XX/XXXXX		MADE IN CHINA		
SERIAL NO.	XXXXXXXXXX	WorldWide Electric Corporation					

Model	NT34-18-56CB	Frame	56C
Hz	60 Hz	Encl	TEFC
HP	3/4	PH	1
RPM	1725	DUTY	CONT
Voltage	115/230	Code	M
Amps	10.0/5.0	Ins Cl	F
S.F.	1.15	IP	IP43
SFA.	11.0/5.5	DES.	N
DE Brng	6203 2RS	WT:	29 lbs.
ODE Brng	6203 2RS		